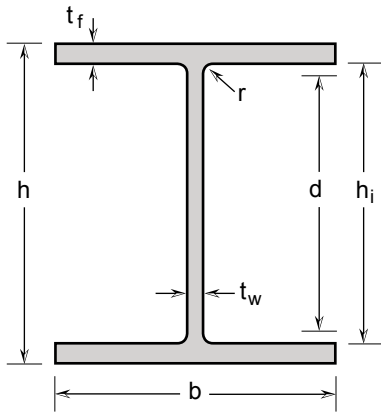


UB / UC



Universal Beams and Columns

Laser fused

according to ASTM A1069,
dimensional tolerances and grades, according to
ASTM A276, ASTM A484, ASTM A479, ASME SA479,
MTC EN 10204 3.1

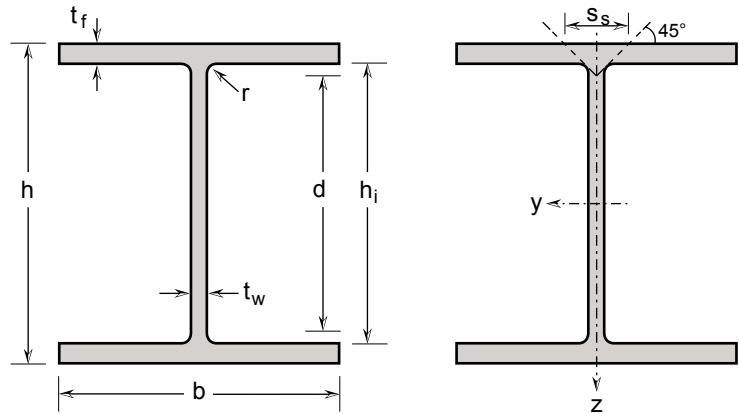
Stainless steel

Standard stainless steel grades 304/L and 316/L
Annealed and pickled, lengths of 6000 -0/+100 mm

General properties									
Designation		Dimensions						Dimensions for detailing	
	G kg/m	h mm	b mm	t _w mm	t _f mm	r* mm	A mm ² x10 ²	h _i mm	d mm
100 x 50	9.1	100	50	5	7	2	11.33	86.0	82.0
100 x 100	14.7	100	100	5	7	2	18.33	86.0	82.0
	16.9	100	100	6	8	2	21.07	84.0	80.0
125 x 60	12.9	125	60	6	8	2	16.17	109.0	105.0
125 x 125	23.6	125	125	6.5	9	2	29.49	107.0	103.0
150 x 75	13.9	150	75	5	7	2	17.33	136.0	132.0
150 x 100	20.7	148	100	6	9	2	25.83	130.0	126.0
	31.3	150	150	7	10	2	39.13	130.0	126.0
150 x 150	37.3	154	151	8	12	2	46.67	130.0	126.0
	17.9	175	90	5	8	2	22.38	159.0	155.0
175 x 125	23.0	175	125	5.5	8	2	28.78	159.0	155.0
175 x 175	32.4	171	174	6	9	2	40.53	153.0	149.0
	40.0	175	175	7.5	11	2	50.01	153.0	149.0
200 x 100	17.7	198	99	4.5	7	2	22.17	184.0	180.0
	20.9	200	100	5.5	8	2	26.15	184.0	180.0
200 x 150	30.1	194	150	6	9	2	37.59	176.0	172.0
	36.5	198	151	7	11	2	45.57	176.0	172.0
200 x 200	41.0	196	199	6.5	10	2	51.27	176.0	172.0
	49.7	200	200	8	12	2	62.11	176.0	172.0
	57.7	204	201	9	14	2	72.15	176.0	172.0
	65.8	208	202	10	16	2	82.27	176.0	172.0
250 x 125	25.2	248	124	5	8	2	31.47	232.0	228.0
	29.2	250	125	6	9	2	36.45	232.0	228.0
250 x 175	43.3	244	175	7	11	2	54.07	222.0	218.0
	50.8	248	176	8	13	2	63.55	222.0	218.0
	58.5	252	177	9	15	2	73.11	222.0	218.0
250 x 250	66.0	248	249	8	13	2	82.53	222.0	218.0
	72.0	250	250	9	14	2	90.01	222.0	218.0
	98.3	260	253	12	19	2	122.81	222.0	218.0

* Profiles are laser fused with full penetration, equivalent to hot rolled (r = laser seam).

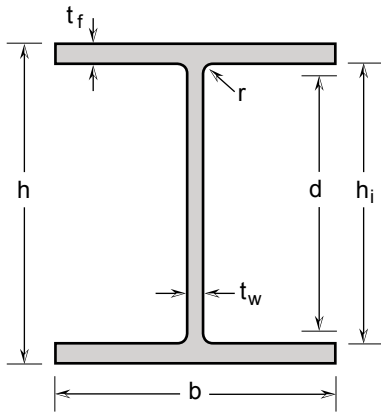
UB / UC



Structural properties

Designation	Strong axis y-y					Weak axis z-z					S _s mm	I _t mm ⁴ x10 ⁴	I _w mm ⁶ x10 ⁹
	I _y mm ⁴ x10 ⁴	W _{el,y} mm ³ x10 ³	W _{pl,y} mm ³ x10 ³	i _y mm x10	A _{vz} mm ² x10 ²	I _z mm ⁴ x10 ⁴	W _{el,z} mm ³ x10 ³	W _{pl,z} mm ³ x10 ³	i _z mm x10				
100 x 50	178.77	35.75	41.94	3.97	4.96	14.68	5.87	9.30	1.14	21.34	1.55	0.32	
100 x 100	330.41	66.08	74.49	4.25	4.96	116.76	23.35	35.55	2.52	21.34	2.70	2.52	
	369.64	73.93	84.33	4.19	5.87	133.49	26.70	40.77	2.52	24.34	4.11	2.82	
125 x 60	394.80	63.17	74.17	4.94	7.37	29.00	9.67	15.39	1.34	24.34	2.92	0.99	
125 x 125	825.74	132.12	149.29	5.29	7.93	293.22	46.91	71.46	3.15	26.84	7.15	9.86	
150 x 75	643.59	85.81	98.43	6.09	7.46	49.36	13.16	20.55	1.69	21.34	2.33	2.52	
150 x 100	981.94	132.69	150.67	6.17	8.73	150.24	30.05	46.18	2.41	26.34	5.84	7.25	
150 x 150	1602.09	213.61	239.80	6.40	10.23	562.88	75.05	114.11	3.79	29.34	11.57	27.56	
	1979.11	257.03	291.33	6.51	11.87	689.15	91.28	138.90	3.84	34.34	19.63	34.71	
175 x 90	1174.41	134.22	152.11	7.24	8.70	97.37	21.64	33.40	2.09	23.34	3.75	6.78	
175 x 125	1581.90	180.79	202.03	7.41	9.54	260.64	41.70	63.71	3.01	23.84	5.20	18.16	
175 x 175	2238.09	261.76	289.07	7.43	10.11	790.48	90.86	137.63	4.42	26.34	9.60	51.85	
	2818.46	322.11	359.85	7.51	12.77	983.10	112.35	170.60	4.43	31.84	17.74	66.07	
200 x 100	1501.12	151.63	170.77	8.23	8.91	113.34	22.90	35.24	2.26	20.84	2.85	10.32	
	1763.81	176.38	200.47	8.21	10.91	133.59	26.72	41.40	2.26	23.84	4.48	12.29	
200 x 150	2587.23	266.72	296.51	8.30	11.49	506.57	67.54	102.85	3.67	26.34	8.60	43.32	
	3228.18	326.08	365.12	8.42	13.56	631.72	83.67	127.58	3.72	31.34	15.39	55.18	
200 x 200	3743.56	382.00	420.78	8.54	12.52	1313.84	132.04	199.88	5.06	28.84	14.90	113.60	
	4613.12	461.31	513.45	8.62	15.55	1600.76	160.08	242.83	5.08	34.34	26.06	141.38	
	5499.98	539.21	604.66	8.73	17.69	1895.88	188.65	286.39	5.13	39.34	40.90	171.01	
	6427.96	618.07	698.28	8.84	19.87	2199.45	217.77	330.85	5.17	44.34	60.55	202.57	
250 x 125	3382.90	272.81	305.76	10.37	12.35	254.46	41.04	62.96	2.84	23.34	5.21	36.61	
	3897.52	311.80	352.26	10.34	14.85	293.39	46.94	72.41	2.84	26.34	7.79	42.54	
250 x 175	5871.62	481.28	535.15	10.42	16.78	983.19	112.36	171.17	4.26	31.34	18.05	133.35	
	7057.79	569.18	636.63	10.54	19.35	1182.17	134.34	204.91	4.31	36.34	29.40	163.08	
	8291.17	658.03	740.50	10.65	21.96	1387.67	156.80	239.48	4.36	41.34	44.77	194.67	
250 x 250	9680.88	780.72	859.64	10.83	19.35	3345.91	268.75	406.57	6.37	36.34	40.09	461.81	
	10583.01	846.64	937.27	10.84	21.83	3647.19	291.78	442.01	6.37	39.34	50.98	507.65	
	15086.99	1160.54	1306.72	11.08	29.71	5131.40	405.64	616.10	6.46	52.34	127.43	744.63	

UB / UC



Universal Beams and Columns

Laser fused

according to ASTM A1069,
dimensional tolerances and grades, according to
ASTM A276, ASTM A484, ASTM A479, ASME SA479,
MTC EN 10204 3.1

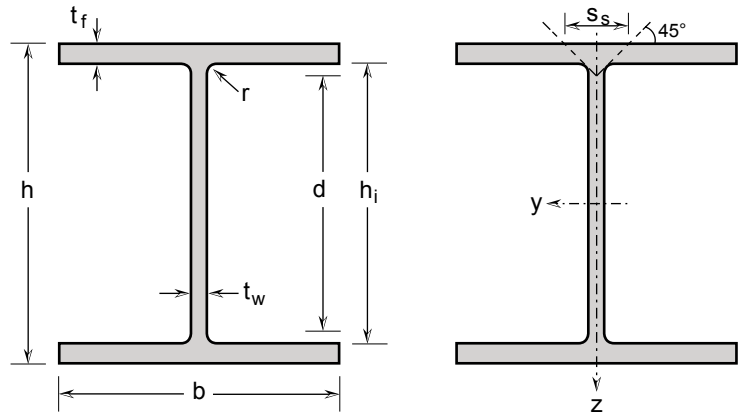
Stainless steel

Standard stainless steel grades 304/L and 316/L
Annealed and pickled, lengths of 6000 -0/+100 mm

General properties									
Designation		Dimensions						Dimensions for detailing	
	G kg/m	h mm	b mm	t _w mm	t _f mm	r* mm	A mm ² x10 ²	h _i mm	d mm
300 x 150	24.4	294	148	4.5	6	2	30.48	282.0	278.0
	31.5	298	149	5.5	8	2	39.38	282.0	278.0
	36.3	300	150	6.5	9	2	45.36	282.0	278.0
	41.1	304	150	6.5	11	2	51.36	282.0	278.0
	45.9	306	151	7.5	12	2	57.42	282.0	278.0
	69.2	318	154	11	18	2	86.49	282.0	278.0
300 x 200	47.0	290	199	7	10	2	58.73	270.0	266.0
	55.7	294	200	8	12	2	69.63	270.0	266.0
	64.5	298	201	9	14	2	80.61	270.0	266.0
	76.6	304	202	10	17	2	95.71	270.0	266.0
300 x 300	86.4	298	299	9	14	2	108.05	270.0	266.0
	93.6	300	300	10	15	2	117.03	270.0	266.0
	105.7	304	301	11	17	2	132.07	270.0	266.0
	125.1	310	303	13	20	2	156.33	270.0	266.0
	130.0	310	305	15	20	2	162.53	270.0	266.0
	147.4	312	310	20	21	2	184.23	270.0	266.0
350 x 175	40.8	346	174	6	9	2	51.03	328.0	324.0
	49.2	350	175	7	11	2	61.49	328.0	324.0
	57.6	354	176	8	13	2	72.03	328.0	324.0
	66.1	358	177	9	15	2	82.65	328.0	324.0
	71.8	360	178	10	16	2	89.79	328.0	324.0
	79.9	364	177	11	18	2	99.83	328.0	324.0
350 x 350	114.1	344	348	10	16	2	142.59	312.0	308.0
	136.4	350	350	12	19	2	170.47	312.0	308.0
400 x 200	56.0	396	199	7	11	2	69.99	374.0	370.0
	65.6	400	200	8	13	2	81.95	374.0	370.0
	75.2	404	201	9	15	2	93.99	374.0	370.0
	88.1	410	202	10	18	2	110.15	374.0	370.0

* Profiles are laser fused with full penetration, equivalent to hot rolled (r = laser seam).

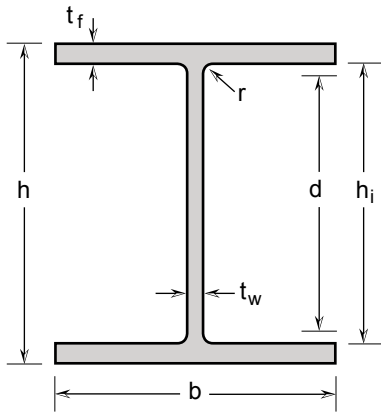
UB / UC



Structural properties

Designation	Strong axis y-y					Weak axis z-z					S _s mm	I _t mm ⁴ x10 ⁴	I _w mm ⁶ x10 ⁹
	I _y mm ⁴ x10 ⁴	W _{el,y} mm ³ x10 ³	W _{pl,y} mm ³ x10 ³	i _y mm x10	A _{vz} mm ² x10 ²	I _z mm ⁴ x10 ⁴	W _{el,z} mm ³ x10 ³	W _{pl,z} mm ³ x10 ³	i _z mm x10				
300 x 150	4531.00	308.23	345.69	12.19	13.23	324.40	43.84	67.15	3.26	18.84	3.03	67.22	
	6048.26	405.92	455.51	12.39	16.30	441.45	59.26	90.95	3.35	23.84	6.70	92.73	
	6939.30	462.62	522.56	12.37	19.31	506.90	67.59	104.24	3.34	26.84	9.97	107.17	
	8307.38	546.54	613.16	12.72	19.52	619.40	82.59	126.74	3.47	30.84	15.80	132.80	
	9243.84	604.17	682.32	12.69	22.56	689.59	91.34	140.79	3.47	33.84	21.28	148.80	
14551.45	915.19	1050.77	12.97	33.75	1098.82	142.70	221.99	3.56	49.34	71.38	246.53		
300 x 200	8958.51	617.83	685.24	12.35	20.03	1314.21	132.08	201.33	4.73	29.34	16.44	257.43	
	10867.06	739.26	823.06	12.49	23.07	1601.16	160.12	244.34	4.80	34.34	27.67	318.10	
	12839.93	861.74	963.66	12.62	26.15	1896.46	188.70	288.29	4.85	39.34	43.18	382.07	
	15805.77	1039.85	1168.27	12.85	29.41	2337.61	231.45	353.60	4.94	46.34	74.23	480.90	
300 x 300	18377.42	1233.38	1353.31	13.04	26.15	6238.86	417.31	631.29	7.60	39.34	61.11	1257.67	
	19938.97	1329.26	1465.21	13.05	29.13	6752.26	450.15	681.77	7.60	42.34	76.39	1370.67	
	22909.25	1507.19	1669.52	13.17	32.28	7729.76	513.61	778.30	7.65	47.34	110.10	1591.11	
	27661.24	1784.60	1994.79	13.30	38.53	9277.67	612.39	929.52	7.70	55.34	180.30	1949.59	
	28157.76	1816.63	2042.84	13.16	44.33	9465.16	620.67	945.46	7.63	57.34	193.73	1988.45	
30898.23	1980.66	2259.37	12.95	59.07	10444.89	673.86	1036.09	7.53	64.34	270.32	2207.39		
350 x 175	10668.13	616.65	689.68	14.46	20.61	790.80	90.90	139.21	3.94	26.34	10.86	224.36	
	13132.65	750.44	841.41	14.61	24.20	983.49	112.40	172.47	4.00	31.34	19.26	282.29	
	15670.68	885.35	995.94	14.75	27.83	1182.62	134.39	206.61	4.05	36.34	31.21	343.38	
	18283.61	1021.43	1153.29	14.87	31.50	1388.31	156.87	241.63	4.10	41.34	47.34	407.74	
	19813.01	1100.72	1249.23	14.85	35.07	1506.68	169.29	261.69	4.10	44.34	59.07	444.92	
22331.84	1227.02	1398.77	14.96	38.81	1667.22	188.39	291.90	4.09	49.34	82.37	497.89		
350 x 350	32514.40	1890.37	2070.20	15.10	33.47	11241.06	646.04	976.65	8.88	44.34	104.96	3022.69	
	39514.49	2257.97	2493.72	15.22	40.51	13581.59	776.09	1175.00	8.93	52.34	176.96	3718.80	
400 x 200	19291.22	974.30	1088.19	16.60	27.42	1445.85	145.31	222.40	4.54	31.34	21.92	535.38	
	22976.82	1148.84	1286.59	16.74	31.51	1734.94	173.49	266.00	4.60	36.34	35.51	649.00	
	26758.42	1324.67	1488.20	16.87	35.64	2032.43	202.23	310.60	4.65	41.34	53.86	768.01	
	32327.17	1576.94	1775.64	17.13	39.95	2475.85	245.13	376.60	4.74	48.34	89.50	949.92	

UB / UC



Universal Beams and Columns

Laser fused

according to ASTM A1069,
dimensional tolerances and grades, according to
ASTM A276, ASTM A484, ASTM A479, ASME SA479,
MTC EN 10204 3.1

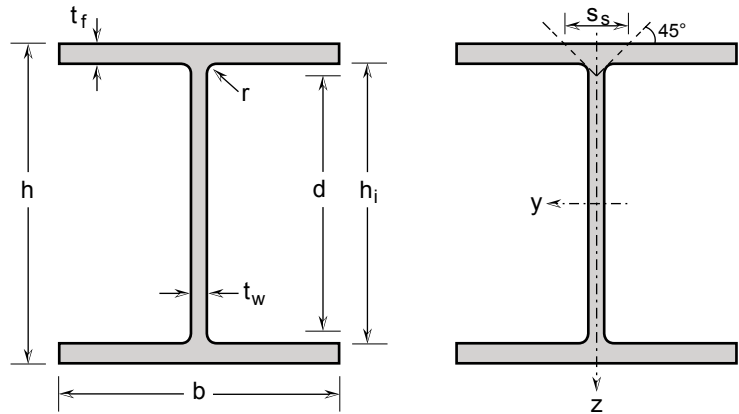
Stainless steel

Standard stainless steel grades 304/L and 316/L
Annealed and pickled, lengths of 6000 -0/+100 mm

General properties									
Designation		Dimensions						Dimensions for detailing	
	G kg/m	h mm	b mm	t _w mm	t _f mm	r* mm	A mm ² x10 ²	h _i mm	d mm
400 x 300	92.8	386	299	9	14	2	115.97	358.0	354.0
	105.5	390	300	10	16	2	131.83	358.0	354.0
	126.2	396	302	12	19	2	157.75	358.0	354.0
400 x 400	139.5	388	402	15	15	2	174.33	358.0	354.0
	146.2	394	398	11	18	2	182.69	358.0	354.0
	171.7	400	400	13	21	2	214.57	358.0	354.0
450 x 200	65.2	446	199	8	12	2	81.55	422.0	418.0
	75.2	450	200	9	14	2	94.01	422.0	418.0
	88.5	456	201	10	17	2	110.57	422.0	418.0
	98.6	460	202	11	19	2	123.21	422.0	418.0
	109.6	460	205	14	19	2	137.01	422.0	418.0
450 x 300	104.1	434	299	10	15	2	130.13	404.0	400.0
	122.0	440	300	11	18	2	152.47	404.0	400.0
	143.5	446	302	13	21	2	179.39	404.0	400.0
500 x 200	78.3	496	199	9	14	2	97.87	468.0	464.0
	88.7	500	200	10	16	3	110.88	468.0	462.0
	102.4	506	201	11	19	4	128.00	468.0	460.0
	116.2	512	202	12	22	5	145.25	468.0	458.0
500 x 300	112.0	482	300	11	15	6	140.03	452.0	440.0
	126.5	488	300	11	18	7	158.14	452.0	438.0
	148.9	494	302	13	21	8	186.15	452.0	436.0
600 x 200	77.8	592	197	8	13	9	97.20	566.0	548.0
	93.7	596	199	10	15	10	117.16	566.0	546.0
	105.0	600	200	11	17	11	131.30	566.0	544.0
	119.6	606	201	12	20	12	149.56	566.0	542.0
600 x 300	135.4	582	300	12	17	13	169.21	548.0	522.0
	150.0	588	300	12	20	14	187.44	548.0	520.0
	174.1	594	302	14	23	15	217.57	548.0	518.0

* Profiles are laser fused with full penetration, equivalent to hot rolled (r = laser seam).

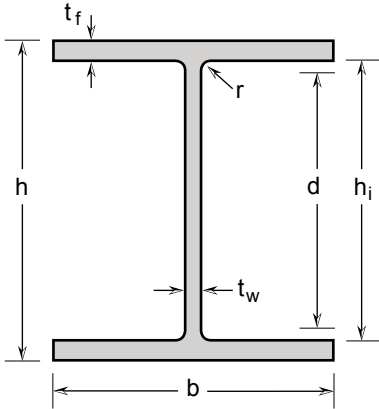
UB / UC



Structural properties

Designation	Strong axis y-y					Weak axis z-z					S _s mm	I _t mm ⁴ x10 ⁴	I _w mm ⁶ x10 ⁹
	I _y mm ⁴ x10 ⁴	W _{el,y} mm ³ x10 ³	W _{pl,y} mm ³ x10 ³	i _y mm x10	A _{vz} mm ² x10 ²	I _z mm ⁴ x10 ⁴	W _{el,z} mm ³ x10 ³	W _{pl,z} mm ³ x10 ³	i _z mm x10				
400 x 300	32429.60	1680.29	1846.17	16.72	34.07	6239.39	417.35	633.07	7.33	39.34	63.25	2157.83	
	37425.23	1919.24	2116.22	16.85	38.07	7202.99	480.20	728.97	7.39	44.34	93.38	2517.77	
	45410.55	2293.46	2548.33	16.97	46.03	8727.31	577.97	879.35	7.44	52.34	157.66	3099.17	
400 x 400	47716.29	2459.60	2730.42	16.54	56.58	16251.29	808.52	1232.19	9.66	47.34	133.42	5649.06	
	54896.43	2786.62	3046.73	17.33	42.11	18917.42	950.62	1436.49	10.18	49.34	169.62	6684.77	
	65372.53	3268.63	3600.75	17.45	50.14	22406.57	1120.33	1695.15	10.22	57.34	271.24	8043.90	
450 x 200	27520.76	1234.11	1393.28	18.37	35.23	1577.93	158.59	244.37	4.40	34.34	30.14	742.18	
	32274.17	1434.41	1622.21	18.53	39.83	1869.24	186.92	288.56	4.46	39.34	46.69	887.11	
	39220.69	1720.21	1946.00	18.83	44.61	2304.36	229.29	353.98	4.57	46.34	78.97	1108.55	
	44248.10	1923.83	2183.01	18.95	49.30	2614.79	258.89	400.42	4.61	51.34	109.43	1269.04	
	46681.50	2029.63	2341.71	18.46	62.53	2737.79	267.10	419.94	4.47	54.34	132.76	1326.42	
450 x 300	44895.26	2068.91	2287.95	18.57	42.53	6686.10	447.23	680.63	7.17	42.34	80.63	2933.06	
	54170.22	2462.28	2728.34	18.85	47.17	8104.49	540.30	822.24	7.29	49.34	133.56	3606.20	
	64480.17	2891.49	3226.49	18.96	56.12	9647.68	638.92	974.73	7.33	57.34	214.10	4353.18	
500 x 200	40078.31	1616.06	1836.46	20.24	43.97	1841.66	185.09	286.70	4.34	39.34	47.63	1068.00	
	46078.61	1843.14	2098.16	20.39	49.44	2137.26	213.73	331.74	4.39	45.51	70.08	1249.37	
	54781.17	2165.26	2465.37	20.69	55.23	2576.77	256.40	398.05	4.49	53.69	111.99	1524.71	
	63752.81	2490.34	2839.63	20.95	61.21	3029.06	299.91	465.84	4.57	61.86	168.59	1814.09	
500 x 300	57707.94	2394.52	2670.28	20.30	53.48	6755.16	450.34	688.88	6.95	48.03	89.68	3680.25	
	68349.16	2801.20	3109.28	20.79	54.64	8105.22	540.35	823.97	7.16	55.20	138.45	4473.23	
	81271.57	3290.35	3676.07	20.89	65.40	9648.92	639.00	977.19	7.20	64.37	222.88	5392.02	
600 x 200	55572.26	1877.44	2143.07	23.91	49.36	1659.16	168.44	261.73	4.13	44.54	40.37	1388.31	
	66179.52	2220.79	2559.28	23.77	61.96	1975.32	198.52	311.78	4.11	51.72	67.47	1662.61	
	75236.92	2507.90	2892.32	23.94	68.91	2273.60	227.36	357.95	4.16	57.89	96.09	1926.04	
	88154.00	2909.37	3351.44	24.28	76.36	2715.95	270.24	425.46	4.26	66.06	146.87	2323.82	
600 x 300	98951.33	3400.39	3821.74	24.18	73.67	7659.04	510.60	786.02	6.73	61.23	139.32	6105.18	
	114520.43	3895.25	4354.49	24.72	75.44	9009.29	600.62	921.26	6.93	68.40	201.47	7259.04	
	133912.27	4508.83	5069.50	24.81	88.77	10572.98	700.20	1077.70	6.97	77.57	310.61	8606.16	

UB / UC



Universal Beams and Columns

Laser fused

according to ASTM A1069,
dimensional tolerances and grades, according to
ASTM A276, ASTM A484, ASTM A479, ASME SA479,
MTC EN 10204 3.1

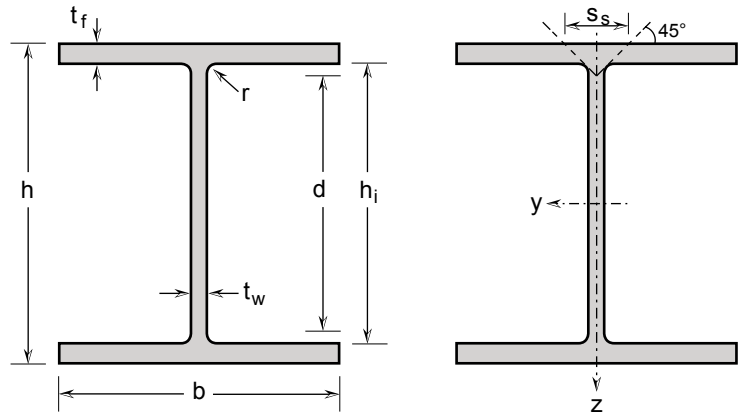
Stainless steel

Standard stainless steel grades 304/L and 316/L
Annealed and pickled, lengths of 6000 -0/+100 mm

General properties									
Designation		Dimensions						Dimensions for detailing	
	G kg/m	h mm	b mm	t _w mm	t _f mm	r* mm	A mm ² x10 ²	h _i mm	d mm
700 x 300	165.6	692	300	13	20	16	206.96	652.0	620.0
	185.0	700	300	13	24	17	231.24	652.0	618.0
800 x 300	191.6	792	300	14	22	18	239.50	748.0	712.0
	211.1	800	300	14	26	19	263.82	748.0	710.0
900 x 300	214.1	890	299	15	23	20	267.57	844.0	804.0

* Profiles are laser fused with full penetration, equivalent to hot rolled (r = laser seam).

UB / UC



Structural properties

Designation	Strong axis y-y					Weak axis z-z				S_s mm	I_t mm ⁴ x10 ⁴	I_w mm ⁶ x10 ⁹
	I_y mm ⁴ x10 ⁴	$W_{el,y}$ mm ³ x10 ³	$W_{pl,y}$ mm ³ x10 ³	i_y mm x10	A_{vz} mm ² x10 ²	I_z mm ⁴ x10 ⁴	$W_{el,z}$ mm ³ x10 ³	$W_{pl,z}$ mm ³ x10 ³	i_z mm x10			
700 x 300	167829.81	4850.57	5484.44	28.48	95.96	9014.17	600.94	929.76	6.60	71.75	223.90	10160.64
	197187.00	5633.91	6328.72	29.20	98.52	10814.57	720.97	1110.10	6.84	80.92	339.82	12338.35
800 x 300	248349.13	6271.44	7143.16	32.20	118.50	9920.48	661.37	1029.72	6.44	79.09	304.85	14674.28
	286797.44	7169.94	8110.05	32.97	121.34	11721.02	781.40	1210.14	6.67	88.26	442.71	17522.97
900 x 300	339675.06	7633.15	8776.98	35.63	142.68	10275.50	687.32	1079.70	6.20	84.43	371.15	19256.10