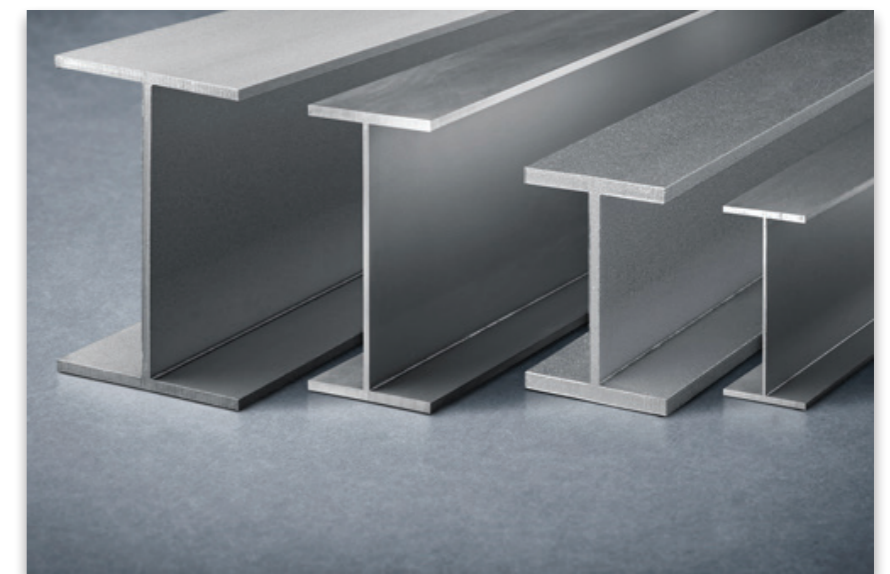


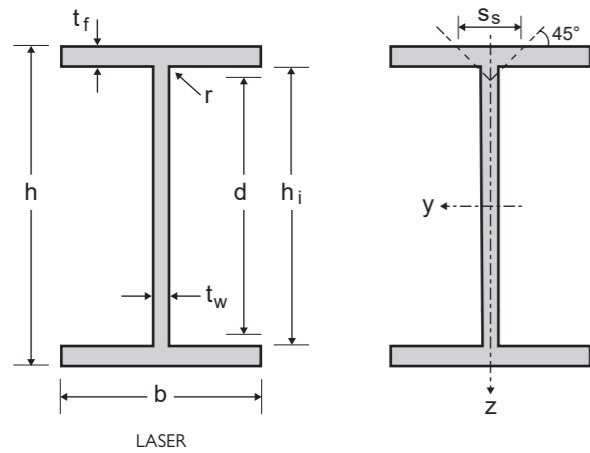
STAINLESS STEEL

IPE BEAMS



LASER WELDED PROFILES

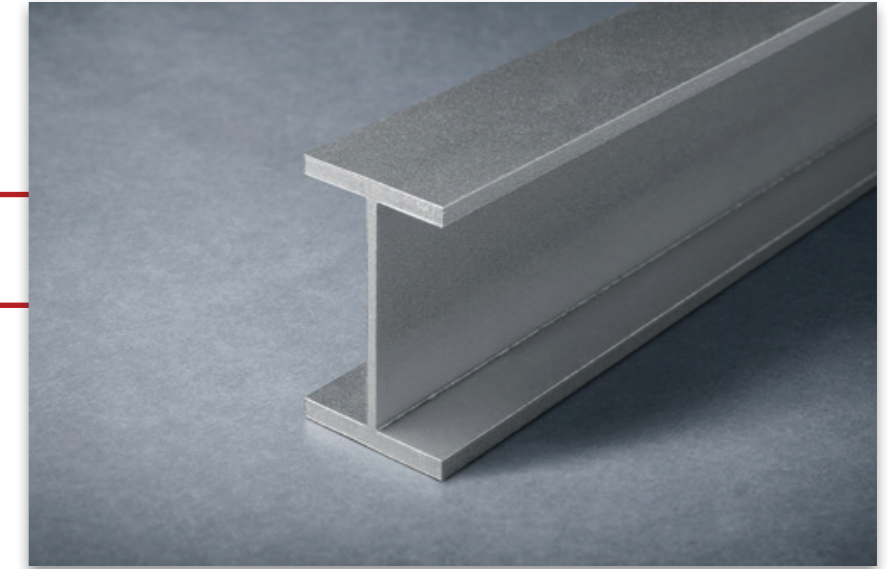
IPE EUROPEAN I BEAMS



STAINLESS STEEL

Product Description

Dimensions: IPE in accordance with EN 10365
 IPE AAAA - AAA according to Montanstahl mill standard
 Tolerances: EN 10034: 1993
 Grade according to EN 10088-3: 1D
 Surface condition: blasted and pickled

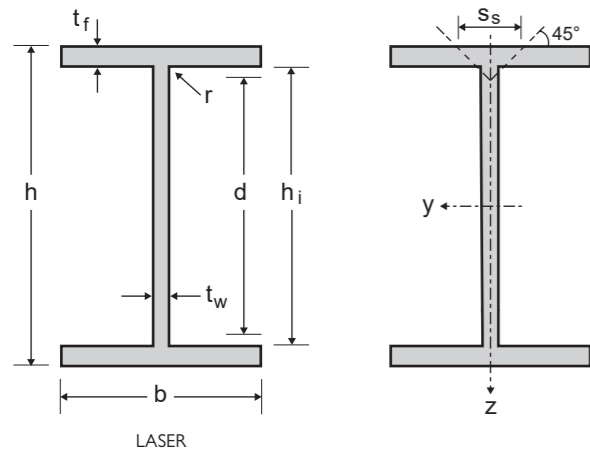


General properties							Structural properties													
Designation		Dimensions					Dimensions for detailing		Strong axis y-y					Weak axis z-z						
	G kg/m	h mm	b mm	t _w mm	t _f mm	A mm ² x10 ²	h _i mm	d* mm	I _y mm ⁴ x10 ⁴	W _{ely} mm ³ x10 ³	W _{ply} mm ³ x10 ³	i _y mm x10	A _{vz} mm ² x10 ²	I _z mm ⁴ x10 ⁴	W _{elz} mm ³ x10 ³	W _{plz} mm ³ x10 ³	i _z mm x10	S _s mm	I _t mm ⁴ x10 ⁴	I _w mm ⁶ x10 ⁹
IPE AAAA 80	3.9	76	46	2.9	3.1	4.91	69.8	65.8	46.54	12.25	14.05	3.08	2.27	5.04	2.19	3.43	1.01	11.44	0.16	0.07
IPE AAA 80	4.7	78	46	3.0	4.0	5.81	70.0	66.0	59.41	15.23	17.41	3.20	2.41	6.51	2.83	4.40	1.06	13.34	0.28	0.09
IPE AA 80	4.9	78	46	3.2	4.2	6.13	69.6	65.6	62.07	15.91	18.25	3.18	2.56	6.83	2.97	4.63	1.06	13.94	0.32	0.09
IPE A 80	5.0	78	46	3.3	4.2	6.20	69.6	65.6	62.35	15.99	18.37	3.17	2.64	6.84	2.97	4.64	1.05	14.04	0.33	0.09
IPE 80	6.0	80	46	3.8	5.2	7.46	69.6	65.6	78.11	19.53	22.61	3.24	3.08	8.47	3.68	5.76	1.07	16.54	0.59	0.12
IPE AAAA 100	5.3	96	55	2.9	3.6	6.57	88.8	84.8	102.15	21.28	24.16	3.94	2.86	10.00	3.64	5.64	1.23	12.44	0.26	0.21
IPE AAA 100	6.5	97	55	3.6	4.5	8.15	88.0	84.0	127.06	26.20	30.01	3.95	3.54	12.51	4.55	7.10	1.24	14.94	0.50	0.27
IPE AA 100	6.5	97.6	55	3.6	4.5	8.17	88.6	84.6	128.87	26.41	30.26	3.97	3.57	12.51	4.55	7.10	1.24	14.94	0.50	0.27
IPE A 100	6.7	98	55	3.6	4.7	8.39	88.6	84.6	134.13	27.37	31.33	4.00	3.58	13.07	4.75	7.40	1.25	15.34	0.54	0.28
IPE 100	7.9	100	55	4.1	5.7	9.94	88.6	84.6	163.98	32.80	37.76	4.06	4.13	15.86	5.77	9.00	1.26	17.84	0.92	0.35
IPE AAAA 120	6.6	115	64	3.0	3.9	8.24	107.2	103.2	185.88	32.33	36.53	4.75	3.52	17.06	5.33	8.24	1.44	13.14	0.37	0.53
IPE AAA 120	7.8	117	64	3.5	4.6	9.70	107.8	103.8	223.59	38.22	43.44	4.80	4.15	20.14	6.29	9.76	1.44	15.04	0.59	0.63
IPE AA 120	8.2	117	64	3.8	4.8	10.26	107.4	103.4	233.69	39.95	45.61	4.77	4.49	21.02	6.57	10.23	1.43	15.74	0.70	0.66
IPE A 120	8.5	117.6	64	3.8	5.1	10.64	107.4	103.4	246.90	41.99	47.86	4.82	4.51	22.33	6.98	10.84	1.45	16.34	0.79	0.71
IPE 120	10.3	120	64	4.4	6.3	12.82	107.4	103.4	307.29	51.21	58.71	4.90	5.29	27.60	8.63	13.43	1.47	19.34	1.41	0.89
IPE AAAA 140	8.1	134	73	3.3	4.1	10.17	125.8	121.8	308.69	46.07	52.15	5.51	4.49	26.62	7.29	11.27	1.62	13.84	0.51	1.12
IPE AAA 140	9.4	136	73	3.5	5.0	11.74	126.0	122.0	373.03	54.86	61.92	5.64	4.82	32.46	8.89	13.72	1.66	15.84	0.81	1.39
IPE AA 140	9.9	136.6	73	3.8	5.2	12.42	126.2	122.2	392.88	57.52	65.22	5.62	5.24	33.77	9.25	14.32	1.65	16.54	0.94	1.46
IPE A 140	10.4	137.4	73	3.8	5.6	13.01	126.2	122.2	420.28	61.18	69.23	5.68	5.27	36.37	9.96	15.38	1.67	17.34	1.11	1.58
IPE 140	12.8	140	73	4.7	6.9	16.04	126.2	122.2	526.64	75.23	85.97	5.73	6.57	44.85	12.29	19.09	1.67	20.84	2.07	1.98
IPE AAAA 160	9.9	154	82	3.6	4.3	12.32	145.4	141.4	489.21	63.53	72.06	6.30	5.60	39.57	9.65	14.94	1.79	14.54	0.69	2.21
IPE AAA 160	11.4	156	82	3.7	5.4	14.26	145.2	141.2	598.54	76.74	86.44	6.48	5.82	49.69	12.12	18.66	1.87	16.84	1.13	2.81
IPE AA 160	12.0	156.4	82	4.0	5.6	15.03	145.2	141.2	626.20	80.08	90.58	6.46	6.29	51.54	12.57	19.42	1.85	17.54	1.30	2.93
IPE A 160	12.4	157	82	4.0	5.9	15.52	145.2	141.2	656.40	83.62	94.43	6.50	6.31	54.30	13.24	20.43	1.87	18.14	1.46	3.09
IPE 160	15.5	160	82	5.0	7.4	19.43	145.2	141.2	836.41	104.55	119.20	6.56	7.96	68.16	16.62	25.80	1.87	22.14	2.86	3.96

Other custom sizes are available upon request

* This dimension is related to the internal radius, achieved by the various producer. At Montanstahl beams are produced with radius of ≤2mm.

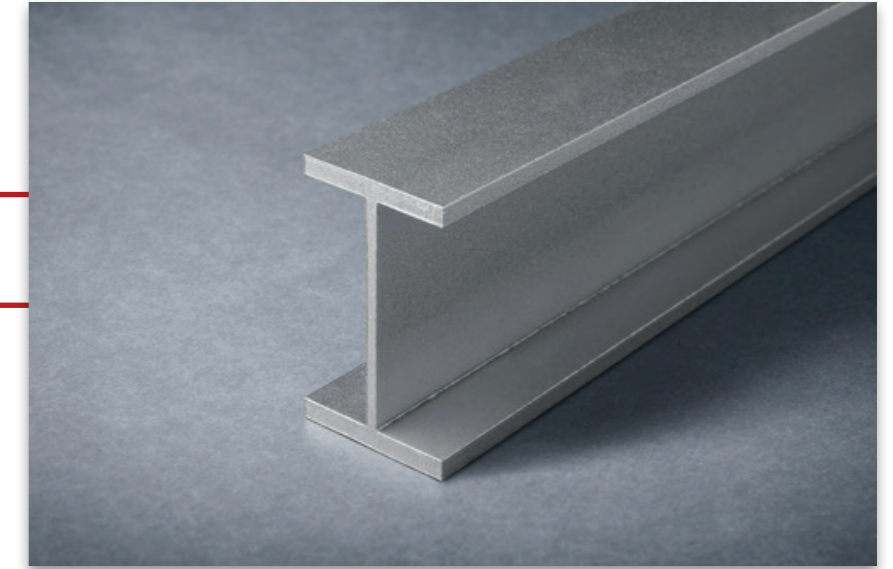
IPE EUROPEAN I BEAMS



STAINLESS STEEL

Product Description

Dimensions: IPE in accordance with EN 10365
 IPE AAAA - AAA according to Montanstahl mill standard
 Tolerances: EN 10034: 1993
 Grade according to EN 10088-3: 1D
 Surface condition: blasted and pickled

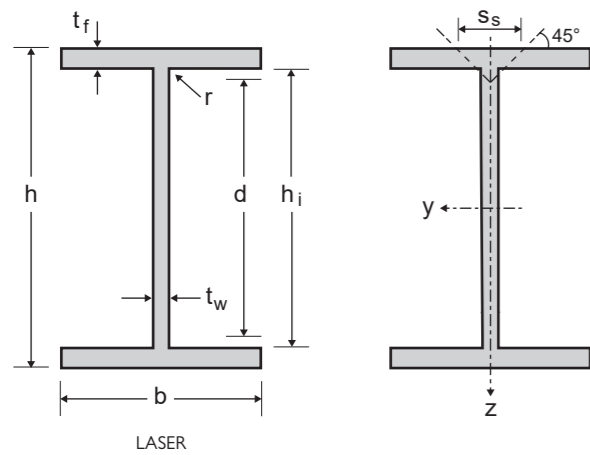


General properties							Structural properties													
Designation		Dimensions					Dimensions for detailing		Strong axis y-y					Weak axis z-z						
	G kg/m	h mm	b mm	t _w mm	t _f mm	A mm ² x10 ²	h _i mm	d* mm	I _y mm ⁴ x10 ⁴	W _{ely} mm ³ x10 ³	W _{ply} mm ³ x10 ³	i _y mm x10	A _{vz} mm ² x10 ²	I _z mm ⁴ x10 ⁴	W _{elz} mm ³ x10 ³	W _{plz} mm ³ x10 ³	i _z mm x10	S _s mm	I _t mm ⁴ x10 ⁴	I _w mm ⁶ x10 ⁹
IPE AAAA 180	12.3	174	91	3.9	4.9	15.36	164.2	160.2	783.87	90.10	101.97	7.14	6.83	61.62	13.54	20.92	2.00	16.04	1.07	4.40
IPE AAA 180	13.9	176	91	3.9	6.0	17.35	164.0	160.0	934.94	106.24	119.32	7.34	6.90	75.44	16.58	25.47	2.09	18.24	1.66	5.44
IPE AA 180	14.7	176.4	91	4.3	6.2	18.37	164.0	160.0	977.89	110.87	125.22	7.30	7.60	77.98	17.14	26.44	2.06	19.04	1.91	5.64
IPE A 180	15.1	177	91	4.3	6.5	18.92	164.0	160.0	1020.51	115.31	130.04	7.34	7.63	81.75	17.97	27.68	2.08	19.64	2.13	5.93
IPE 180	18.6	180	91	5.3	8.0	23.29	164.0	160.0	1274.74	141.64	161.13	7.40	9.47	100.68	22.13	34.29	2.08	23.64	3.96	7.43
IPE O 180	21.1	182	92	6.0	9.0	26.43	164.0	160.0	1463.01	160.77	183.87	7.44	10.77	117.10	25.46	39.58	2.10	26.34	5.69	8.74
IPE AAAA 200	14.3	193	100	4.1	5.2	17.92	182.6	178.6	1128.08	116.90	132.14	7.93	7.94	86.77	17.35	26.78	2.20	16.84	1.39	7.64
IPE AAA 200	16.4	196	100	4.1	6.5	20.54	183.0	179.0	1379.78	140.79	157.81	8.20	8.06	108.44	21.69	33.28	2.30	19.44	2.27	9.73
IPE AA 200	17.3	196.4	100	4.5	6.7	21.67	183.0	179.0	1438.70	146.51	165.09	8.15	8.84	111.81	22.36	34.44	2.27	20.24	2.59	10.05
IPE A 200	17.8	197	100	4.5	7.0	22.27	183.0	179.0	1496.74	151.95	170.99	8.20	8.86	116.81	23.36	35.94	2.29	20.84	2.87	10.53
IPE 200	21.8	200	100	5.6	8.5	27.28	183.0	179.0	1848.44	184.84	209.97	8.23	11.10	141.94	28.39	43.95	2.28	24.94	5.20	12.99
IPE O 200	24.6	202	102	6.2	9.5	30.76	183.0	179.0	2116.32	209.54	238.75	8.29	12.35	168.39	33.02	51.19	2.34	27.54	7.31	15.57
IPE AA 220	20.6	216.4	110	4.7	7.4	25.79	201.6	197.6	2102.93	194.36	218.23	9.03	10.15	164.33	29.88	45.89	2.52	21.84	3.69	17.93
IPE A 220	21.6	217	110	5.0	7.7	27.05	201.6	197.6	2200.90	202.85	228.42	9.02	10.81	171.02	31.10	47.86	2.51	22.74	4.22	18.71
IPE 220	25.7	220	110	5.9	9.2	32.17	201.6	197.6	2656.23	241.48	273.62	9.09	12.84	204.44	37.17	57.43	2.52	26.64	7.11	22.67
IPE O 220	29.0	222	112	6.6	10.2	36.19	201.6	197.6	3018.44	271.93	309.37	9.13	14.42	239.33	42.74	66.18	2.57	29.34	9.87	26.79
IPE AA 240	23.9	236.4	120	4.8	8.0	29.81	220.4	216.4	2937.40	248.51	277.93	9.93	11.32	230.61	38.43	58.88	2.78	23.14	4.91	30.05
IPE A 240	25.1	237	120	5.2	8.3	31.42	220.4	216.4	3073.94	259.40	291.31	9.89	12.26	239.30	39.88	61.26	2.76	24.14	5.62	31.26
IPE 240	29.8	240	120	6.2	9.8	37.22	220.4	216.4	3675.10	306.26	346.39	9.94	14.70	282.68	47.11	72.69	2.76	28.14	9.28	37.39
IPE O 240	33.5	242	122	7.0	10.8	41.81	220.4	216.4	4152.74	343.20	390.01	9.97	16.65	327.49	53.69	83.09	2.80	30.94	12.77	43.68
IPE A 270	29.8	267	135	5.5	8.7	37.25	249.6	245.6	4637.57	347.38	389.46	11.16	14.59	357.10	52.90	81.18	3.10	25.24	7.33	59.51
IPE 270	35.2	270	135	6.6	10.2	44.05	249.6	245.6	5510.06	408.15	460.97	11.18	17.59	418.87	62.05	95.68	3.08	29.34	11.96	70.58
IPE O 270	41.6	274	136	7.5	12.2	51.94	249.6	245.6	6667.32	486.67	551.62	11.33	20.16	512.36	75.35	116.35	3.14	34.24	19.86	87.64
IPE A 300	35.7	297	150	6.1	9.2	44.63	278.6	274.6	6823.00	459.46	516.01	12.36	17.96	518.03	69.07	106.10	3.41	26.84	9.93	107.16

Other custom sizes are available upon request

* This dimension is related to the internal radius, achieved by the various producer. At Montanstahl beams are produced with radius of ≤2mm.

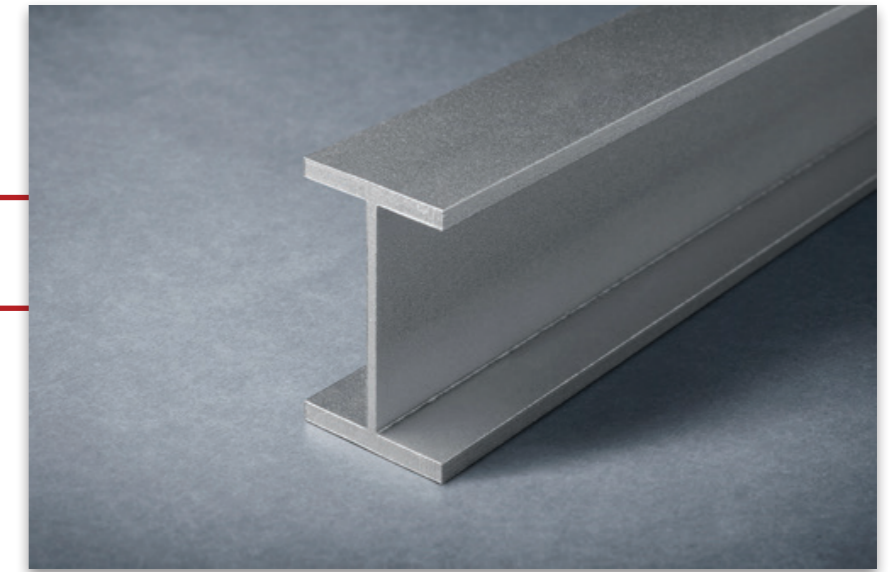
IPE EUROPEAN I BEAMS



STAINLESS STEEL

Product Description

Dimensions: IPE in accordance with EN 10365
 IPE AAAA - AAA according to Montanstahl mill standard
 Tolerances: EN 10034: 1993
 Grade according to EN 10088-3: 1D
 Surface condition: blasted and pickled

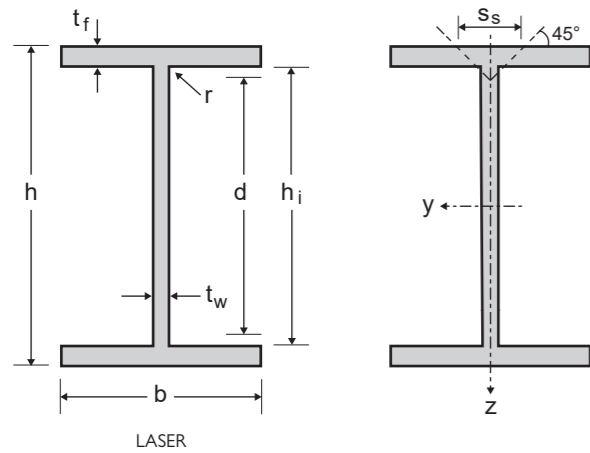


General properties							Structural properties														
Designation		Dimensions					Dimensions for detailing		Strong axis y-y					Weak axis z-z							
	G kg/m	h mm	b mm	t _w mm	t _f mm	A mm ² x10 ²	h _i mm	d* mm	I _y mm ⁴ x10 ⁴	W _{ely} mm ³ x10 ³	W _{ply} mm ³ x10 ³	i _y mm x10	A _{vz} mm ² x10 ²	I _z mm ⁴ x10 ⁴	W _{elz} mm ³ x10 ³	W _{plz} mm ³ x10 ³	i _z mm x10	S _s mm	I _t mm ⁴ x10 ⁴	I _w mm ⁶ x10 ⁹	
IPE 300	41.5	300	150	7.1	10.7	51.91	278.6	274.6	8005.61	533.71	602.58	12.42	21.00	602.71	80.36	123.90	3.41	30.84	15.61	125.93	
IPE O 300	48.7	304	152	8.0	12.7	60.93	278.6	274.6	9643.71	634.45	718.04	12.58	23.85	744.53	97.96	151.18	3.50	35.74	25.41	157.69	
IPE A 330	41.6	327	160	6.5	10.0	51.99	307.0	303.0	9617.11	588.20	660.88	13.60	21.04	683.37	85.42	131.26	3.63	28.84	13.50	171.50	
IPE 330	47.9	330	160	7.5	11.5	59.86	307.0	303.0	11153.19	675.95	763.28	13.65	24.38	786.15	98.27	151.53	3.62	32.84	20.54	199.10	
IPE O 330	55.9	334	162	8.5	13.5	69.87	307.0	303.0	13296.67	796.21	901.74	13.80	27.82	958.17	118.29	182.71	3.70	37.84	32.69	245.65	
IPE A 360	49.0	357.6	170	6.6	11.5	61.22	334.6	330.6	13783.22	770.87	861.93	15.01	23.34	942.46	110.88	169.83	3.92	31.94	20.29	281.99	
IPE 360	56.0	360	170	8.0	12.7	69.98	334.6	330.6	15533.39	862.97	974.31	14.90	28.33	1041.35	122.51	188.88	3.86	35.74	28.82	313.58	
IPE O 360	65.1	364	172	9.2	14.7	81.39	334.6	330.6	18315.23	1006.33	1141.24	15.00	32.76	1248.85	145.22	224.54	3.92	40.94	44.82	380.27	
IPE A 400	55.5	397	180	7.0	12.0	69.34	373.0	369.0	19052.59	959.83	1075.71	16.58	27.46	1167.47	129.72	198.98	4.10	33.34	24.83	432.22	
IPE 400	64.6	400	180	8.6	13.5	80.71	373.0	369.0	21888.36	1094.42	1238.96	16.47	33.81	1314.18	146.02	225.61	4.04	37.94	37.30	490.05	
IPE O 400	74.1	404	182	9.7	15.5	92.64	373.0	369.0	25507.03	1262.72	1433.99	16.59	38.34	1560.23	171.45	265.50	4.10	43.04	56.14	587.65	
IPE V 400	82.6	408	182	10.6	17.5	103.27	373.0	369.0	28896.28	1416.48	1613.07	16.73	42.13	1762.05	193.63	300.33	4.13	37.34	78.92	670.32	
IPE A 450	65.4	447	190	7.6	13.1	81.80	420.8	416.8	28171.46	1260.47	1417.14	18.56	33.53	1499.09	157.80	242.55	4.28	36.14	34.35	704.86	
IPE 450	76.1	450	190	9.4	14.6	95.07	420.8	416.8	32155.58	1429.14	1624.64	18.39	41.55	1671.95	175.99	272.84	4.19	40.94	50.87	791.01	
IPE O 450	91.1	456	192	11.0	17.6	113.91	420.8	416.8	39336.06	1725.27	1969.11	18.58	48.96	2080.86	216.76	337.15	4.27	48.54	87.68	997.58	
IPE V 450	102.6	460	194	12.4	19.6	128.26	420.8	416.8	44613.26	1939.71	2224.22	18.65	55.43	2391.82	246.58	385.03	4.32	41.54	122.91	1156.50	
IPE A 500	77.9	497	200	8.4	14.5	97.35	468.0	464.0	40961.02	1648.33	1860.00	20.51	41.14	1935.65	193.57	298.27	4.46	39.74	49.43	1125.23	
IPE 500	89.4	500	200	10.2	16.0	111.77	468.0	464.0	46226.12	1849.04	2108.11	20.34	50.04	2137.48	213.75	332.19	4.37	44.54	70.78	1249.37	
IPE O 500	106.4	506	202	12.0	19.0	132.95	468.0	464.0	55804.88	2205.73	2526.98	20.49	59.23	2616.85	259.09	404.51	4.44	52.34	118.27	1547.58	
IPE V 500	128.3	514	204	14.2	23.0	160.33	468.0	464.0	68747.25	2674.99	3082.11	20.71	70.68	3265.56	320.15	502.20	4.51	48.34	207.15	1961.42	
IPE A 550	89.9	547	210	9.0	15.7	112.38	515.6	511.6	56850.26	2078.62	2350.73	22.49	48.48	2426.44	231.09	356.64	4.65	42.74	65.99	1710.12	
IPE 550	103.6	550	210	11.1	17.2	129.51	515.6	511.6	63987.40	2326.81	2663.07	22.23	59.86	2660.71	253.40	395.16	4.53	47.84	94.23	1884.10	
IPE O 550	120.9	556	212	12.7	20.2	151.16	515.6	511.6	76028.24	2734.83	3139.45	22.43	68.89	3216.62	303.45	474.75	4.61	55.44	150.23	2302.25	

Other custom sizes are available upon request

* This dimension is related to the internal radius, achieved by the various producer. At Montanstahl beams are produced with radius of ≤2mm.

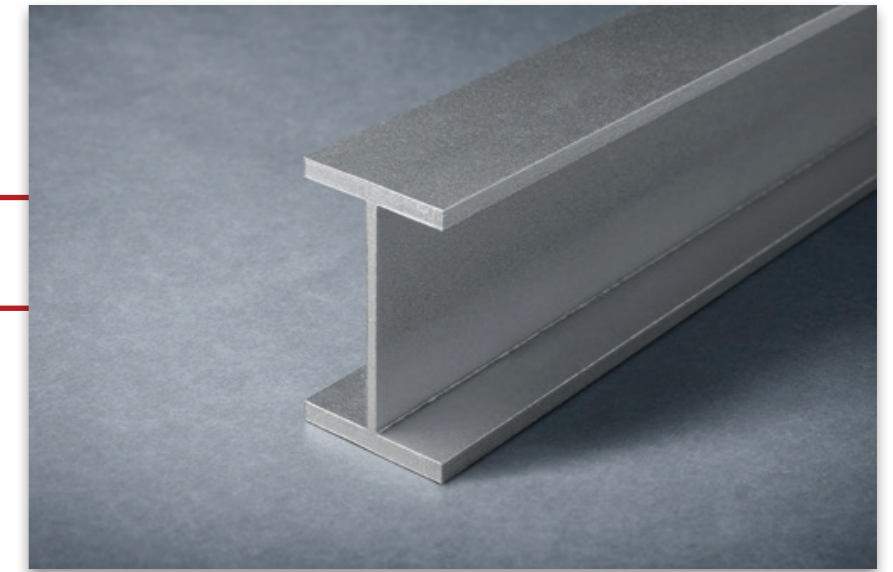
IPE EUROPEAN I BEAMS



STAINLESS STEEL

Product Description

Dimensions: IPE in accordance with EN 10365
 IPE AAAA - AAA according to Montanstahl mill standard
 Tolerances: EN 10034: 1993
 Grade according to EN 10088-3: 1D
 Surface condition: blasted and pickled



General properties							Structural properties													
Designation		Dimensions					Dimensions for detailing		Strong axis y-y					Weak axis z-z						
	G kg/m	h mm	b mm	t _w mm	t _f mm	A mm ² x10 ²	h _i mm	d* mm	I _y mm ⁴ x10 ⁴	W _{ely} mm ³ x10 ³	W _{ply} mm ³ x10 ³	i _y mm x10	A _{vz} mm ² x10 ²	I _z mm ⁴ x10 ⁴	W _{elz} mm ³ x10 ³	W _{plz} mm ³ x10 ³	i _z mm x10	S _s mm	I _t mm ⁴ x10 ⁴	I _w mm ⁶ x10 ⁹
IPE V 550	157.7	566	216	17.1	25.2	197.07	515.6	511.6	99209.84	3505.65	4081.05	22.44	93.52	4254.14	393.90	625.59	4.65	52.74	314.15	3094.74
IPE A 600	105.7	597	220	9.8	17.5	132.11	562.0	558.0	79188.26	2652.87	3005.86	24.48	57.53	3110.08	282.73	437.01	4.85	47.14	94.94	2607.36
IPE 600	120.9	600	220	12.0	19.0	151.07	562.0	558.0	88352.86	2945.10	3377.08	24.18	70.51	3379.97	307.27	480.05	4.73	52.34	131.92	2845.53
IPE O 600	153.5	610	224	15.0	24.0	191.85	562.0	558.0	114571.52	3756.44	4335.71	24.44	88.89	4511.60	402.82	633.75	4.85	65.34	266.26	3859.57
IPE V 600	183.1	618	228	18.0	28.0	228.87	562.0	558.0	137849.61	4461.15	5188.82	24.54	107.35	5558.44	487.58	773.33	4.93	58.34	437.06	4813.44
IPE 750 x 134	134.5	750	264	12.0	15.5	168.15	719.0	715.0	147609.85	3936.26	4557.69	29.63	88.79	4763.64	360.88	566.05	5.32	33.34	107.57	6410.85
IPE 750 x 147	148.0	753	265	13.2	17.0	185.04	719.0	715.0	162969.44	4328.54	5022.88	29.68	97.87	5286.52	398.98	628.26	5.35	36.34	142.73	7140.54
IPE 750 x 173	175.1	762	267	14.4	21.6	218.89	718.8	714.8	202731.96	5321.05	6131.29	30.43	107.52	6870.20	514.62	807.21	5.60	45.54	249.70	9390.94
IPE 750 x 196	198.7	770	268	15.6	25.4	248.37	719.2	715.2	237183.67	6160.61	7087.14	30.90	117.21	8171.45	609.81	955.95	5.74	53.14	378.99	11294.65

Other custom sizes are available upon request

* This dimension is related to the internal radius, achieved by the various producer. At Montanstahl beams are produced with radius of ≤2mm.