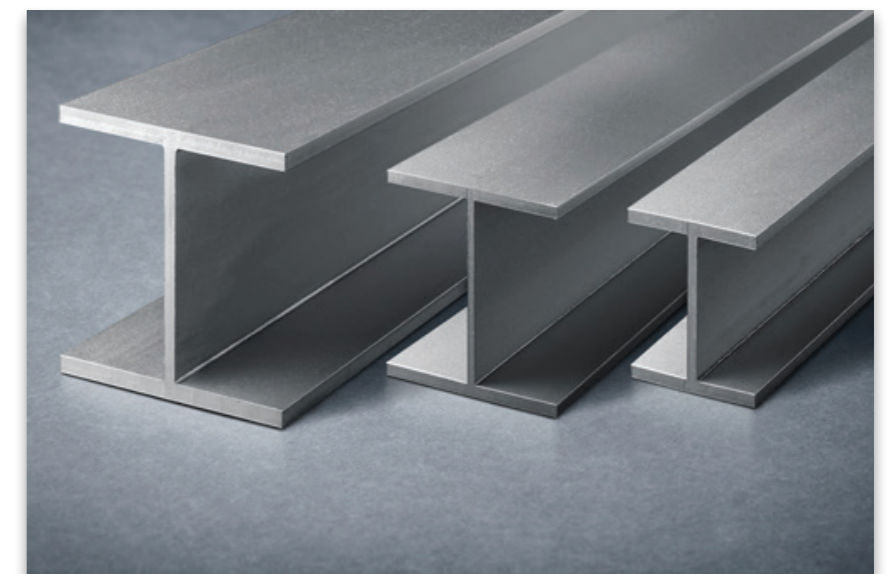


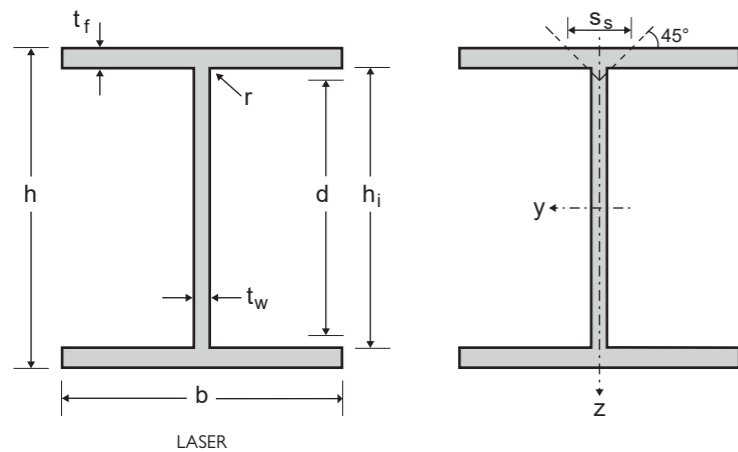
STAINLESS STEEL

HEA / HEB / HEM BEAMS



LASER WELDED PROFILES

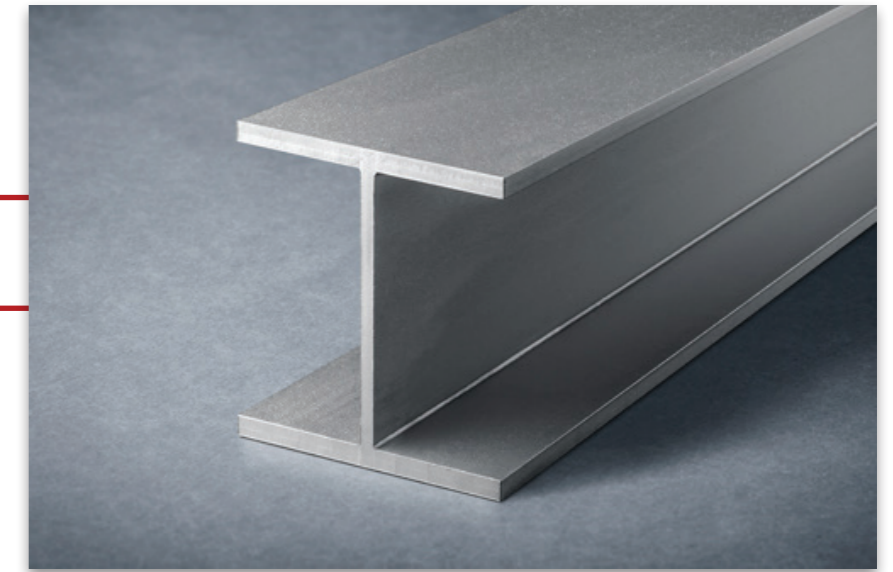
HE EUROPEAN WIDE FLANGE BEAMS



STAINLESS STEEL

Product Description

Dimensions: HE A, B, M in accordance with EN 10365
 Tolerances: EN 10034: 1993
 Grade according to EN 10088-3: 1D
 Surface condition: blasted and pickled

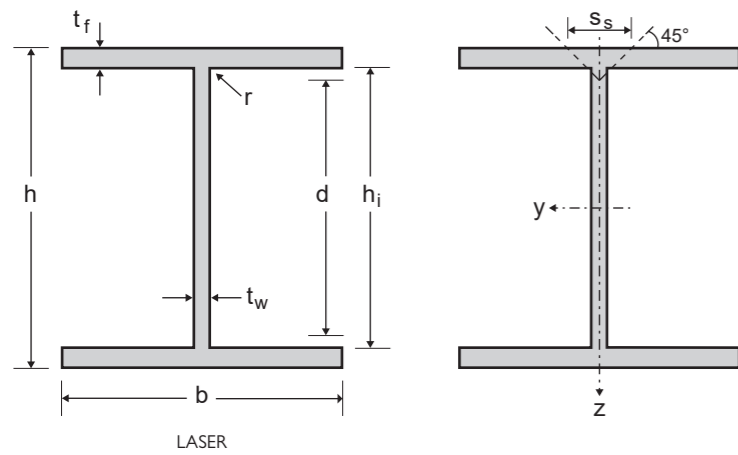


General properties							Structural properties													
Designation		Dimensions					Dimensions for detailing		Strong axis y-y					Weak axis z-z						
	G kg/m	h mm	b mm	t _w mm	t _f mm	A mm ² x10 ²	h _i mm	d* mm	I _y mm ⁴ x10 ⁴	W _{ely} mm ³ x10 ³	W _{ply} mm ³ x10 ³	i _y mm x10	A _{vz} mm ² x10 ²	I _z mm ⁴ x10 ⁴	W _{elz} mm ³ x10 ³	W _{plz} mm ³ x10 ³	i _z mm x10	S _s mm	I _t mm ⁴ x10 ⁴	I _w mm ⁶ x10 ⁹
HE 100 AA	11.5	91	100	4.2	5.5	14.39	80.0	76.0	219.77	48.30	53.88	3.91	3.85	91.72	18.34	27.86	2.52	17.54	1.35	1.68
HE 100 A	16.0	96	100	5.0	8.0	20.03	80.0	76.0	332.48	69.27	78.54	4.07	4.75	133.42	26.68	40.51	2.58	23.34	3.76	2.58
HE 100 B	19.9	100	100	6.0	10.0	24.83	80.0	76.0	432.80	86.56	99.74	4.17	5.83	166.81	33.36	50.73	2.59	28.34	7.20	3.38
HE 100 C	30.5	110	103	9.0	15.0	38.13	80.0	76.0	741.91	134.89	161.31	4.41	9.18	273.68	53.14	81.20	2.68	32.34	24.66	6.16
HE 100 M	41.6	120	106	12.0	20.0	52.03	80.0	76.0	1125.87	187.65	231.34	4.65	12.83	398.17	75.13	115.26	2.77	54.34	59.33	9.93
HE 120 AA	13.9	109	120	4.2	5.5	17.35	98.0	94.0	387.59	71.12	78.56	4.73	4.60	158.46	26.41	40.04	3.02	17.54	1.61	4.24
HE 120 A	19.3	114	120	5.0	8.0	24.13	98.0	94.0	580.38	101.82	113.93	4.90	5.65	230.51	38.42	58.22	3.09	23.34	4.52	6.47
HE 120 B	26.2	120	120	6.5	11.0	32.80	98.0	94.0	838.60	139.77	159.65	5.06	7.56	317.03	52.84	80.25	3.11	30.84	11.45	9.41
HE 120 C	39.0	130	123	9.5	16.0	48.70	98.0	94.0	1362.52	209.62	247.33	5.29	11.50	496.94	80.80	123.26	3.19	34.34	35.72	16.12
HE 120 M	52.2	140	126	12.5	21.0	65.20	98.0	94.0	1991.80	284.54	345.05	5.53	15.75	701.74	111.39	170.55	3.28	56.84	81.83	24.79
HE 140 AA	17.5	128	140	4.3	6.0	21.82	116.0	112.0	682.70	106.67	117.14	5.59	5.52	274.48	39.21	59.35	3.55	18.64	2.36	10.21
HE 140 A	24.2	133	140	5.5	8.5	30.21	116.0	112.0	996.38	149.83	166.85	5.74	7.22	388.90	55.56	84.19	3.59	24.84	6.40	15.06
HE 140 B	33.4	140	140	7.0	12.0	41.75	116.0	112.0	1472.48	210.35	238.79	5.94	9.47	549.14	78.45	119.03	3.63	33.34	17.29	22.48
HE 140 C	48.2	150	143	10.0	17.0	60.25	116.0	112.0	2293.02	305.74	357.16	6.17	14.01	829.50	116.01	176.74	3.71	36.34	49.77	36.64
HE 140 M	63.5	160	146	13.0	22.0	79.35	116.0	112.0	3254.61	406.83	487.19	6.40	18.85	1143.26	156.61	239.40	3.80	59.34	109.16	54.33
HE 160 AA	22.8	148	160	4.5	7.0	28.46	134.0	130.0	1206.00	162.97	178.35	6.51	6.66	477.97	59.75	90.29	4.10	20.84	4.09	23.75
HE 160 A	29.5	152	160	6.0	9.0	36.87	134.0	130.0	1596.10	210.01	233.08	6.58	8.97	614.65	76.83	116.42	4.08	26.34	8.78	31.41
HE 160 B	41.9	160	160	8.0	13.0	52.35	134.0	130.0	2415.12	301.89	341.90	6.79	12.31	888.05	111.01	168.56	4.12	36.34	25.55	47.94
HE 160 C	58.8	170	163	11.0	18.0	73.45	134.0	130.0	3627.28	426.74	495.58	7.03	17.47	1300.72	159.60	243.19	4.21	38.34	68.32	75.04
HE 160 M	76.1	180	166	14.0	23.0	95.15	134.0	130.0	5021.39	557.93	662.50	7.26	22.93	1756.56	211.63	323.49	4.30	62.34	143.70	108.05
HE 180 AA	27.7	167	180	5.0	7.5	34.63	152.0	148.0	1866.77	223.57	244.46	7.34	8.31	729.16	81.02	122.46	4.59	22.34	5.73	46.36
HE 180 A	34.7	171	180	6.0	9.5	43.35	152.0	148.0	2410.16	281.89	311.08	7.46	10.10	923.68	102.63	155.28	4.62	27.34	11.39	60.21
HE 180 B	50.7	180	180	8.5	14.0	63.35	152.0	148.0	3731.00	414.56	467.68	7.67	14.70	1361.59	151.29	229.56	4.64	38.84	35.75	93.75
HE 180 C	69.6	190	183	11.5	19.0	87.05	152.0	148.0	5442.98	572.94	661.25	7.91	20.46	1942.63	212.31	323.19	4.72	40.34	90.02	141.87
HE 180 M	89.1	200	186	14.5	24.0	111.35	152.0	148.0	7383.00	738.30	869.68	8.14	26.51	2577.82	277.19	423.17	4.81	64.84	182.86	199.33

Other custom sizes are available upon request

* This dimension is related to the internal radius, achieved by the various producer. At Montanstahl beams are produced with radius of ≤2mm.

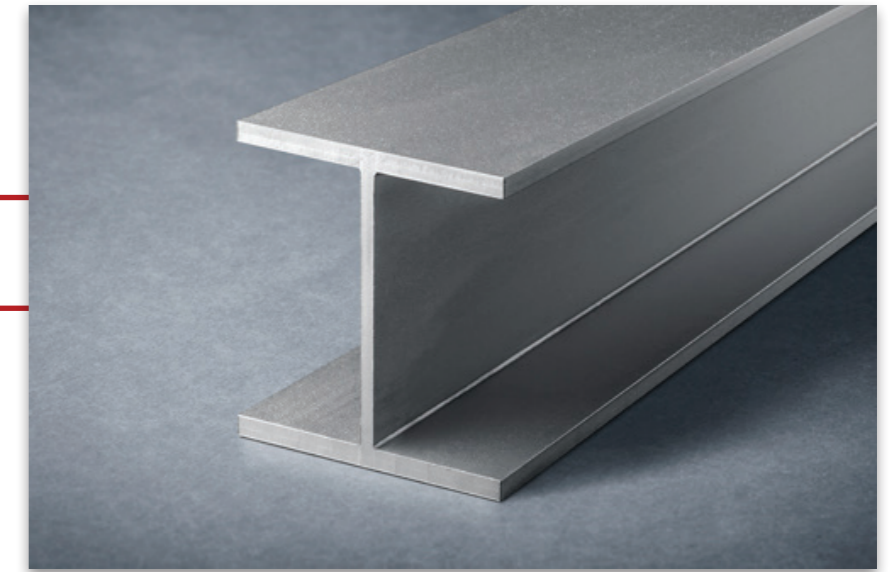
HE EUROPEAN WIDE FLANGE BEAMS



STAINLESS STEEL

Product Description

Dimensions: HE A, B, M in accordance with EN 10365
 Tolerances: EN 10034: 1993
 Grade according to EN 10088-3: 1D
 Surface condition: blasted and pickled

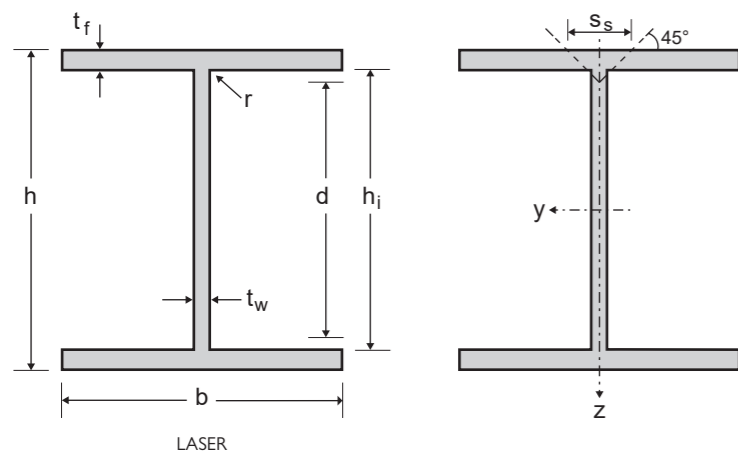


General properties							Structural properties													
Designation		Dimensions					Dimensions for detailing		Strong axis y-y					Weak axis z-z						
	G kg/m	h mm	b mm	t _w mm	t _f mm	A mm ² x10 ²	h _i mm	d* mm	I _y mm ⁴ x10 ⁴	W _{ely} mm ³ x10 ³	W _{ply} mm ³ x10 ³	i _y mm x10	A _{vz} mm ² x10 ²	I _z mm ⁴ x10 ⁴	W _{elz} mm ³ x10 ³	W _{plz} mm ³ x10 ³	i _z mm x10	S _s mm	I _t mm ⁴ x10 ⁴	I _w mm ⁶ x10 ⁹
HE 200 AA	33.1	186	200	5.5	8.0	41.38	170.0	166.0	2764.06	297.21	324.83	8.17	10.14	1066.91	106.69	161.30	5.08	23.84	7.82	84.49
HE 200 A	40.9	190	200	6.5	10.0	51.08	170.0	166.0	3511.91	369.67	407.25	8.29	12.13	1333.73	133.37	201.81	5.11	28.84	14.91	108.00
HE 200 B	60.3	200	200	9.0	15.0	75.33	170.0	166.0	5515.93	551.59	620.32	8.56	17.28	2001.04	200.10	303.46	5.15	41.34	48.68	171.13
HE 200 C	81.3	210	203	12.0	20.0	101.63	170.0	166.0	7849.12	747.54	858.39	8.79	23.63	2790.94	274.97	418.23	5.24	42.34	116.25	251.66
HE 200 M	102.8	220	206	15.0	25.0	128.53	170.0	166.0	10461.66	951.06	1112.92	9.02	30.28	3647.23	354.10	540.04	5.33	67.34	228.77	346.26
HE 220 AA	39	205	220	6.0	8.5	48.71	188	184	3947.74	385.15	420.79	9.00	12.16	1508.81	137.16	207.40	5.57	25.34	10.43	145.61
HE 220 A	49.3	210	220	7.0	11.0	61.59	188	184	5187.21	494.02	543.75	9.18	14.40	1952.68	177.52	268.52	5.63	31.34	21.65	193.27
HE 220 B	70.6	220	220	9.5	16.0	88.29	188	184	7868.48	715.32	802.34	9.44	20.05	2840.82	258.26	391.46	5.67	43.84	64.78	295.42
HE 220 C	93.8	230	223	12.5	21.0	117.19	188.0	184.0	10957.49	952.82	1089.52	9.67	27.00	3884.42	348.38	529.52	5.76	44.34	147.58	423.85
HE 220 M	117.4	240	226	15.5	26.0	146.69	188	184	14382.34	1198.53	1394.74	9.90	34.24	5007.90	443.18	675.31	5.84	69.84	282.13	572.68
HE 240 AA	45.3	224	240	6.5	9.0	56.62	206	202	5472.34	488.60	533.71	9.83	14.37	2074.08	172.84	261.39	6.05	26.84	13.64	239.63
HE 240 A	58.5	230	240	7.5	12.0	73.08	206	202	7400.34	643.51	707.76	10.06	16.86	2765.53	230.46	348.51	6.15	33.84	30.47	328.49
HE 240 B	81.8	240	240	10.0	17.0	102.23	206	202	10896.46	908.04	1016.28	10.32	23.01	3918.53	326.54	494.77	6.19	46.34	84.54	486.95
HE 240 C	118.7	255	244	14.0	24.5	148.43	206.0	202.0	16963.93	1330.50	1526.81	10.69	33.28	5936.50	486.60	739.44	6.32	51.34	252.71	787.89
HE 240 M	159.7	270	248	18.0	32.0	199.59	206	164	24299.58	1799.97	2116.95	11.03	60.07	8152.04	657.42	1005.93	6.39	106.60	627.90	1151.99
HE 260 AA	51.2	244	260	6.5	9.5	64.06	225	221	7416.32	607.89	661.87	10.76	15.66	2783.39	214.11	323.49	6.59	27.84	16.98	382.58
HE 260 A	65.5	250	260	7.5	12.5	81.91	225	221	9890.71	791.26	867.18	10.99	18.35	3662.46	281.73	425.68	6.69	34.84	36.85	516.35
HE 260 B	90.8	260	260	10.0	17.5	113.53	225	221	14355.18	1104.24	1230.32	11.24	24.98	5128.22	394.48	597.14	6.72	47.34	99.19	753.65
HE 260 C	130.8	275	264	14.0	25.0	163.53	225.0	221.0	22026.97	1601.96	1827.57	11.61	36.03	7671.72	581.19	882.25	6.85	52.34	289.40	1197.90
HE 260 M	171.8	290	268	18.0	32.5	214.73	225	221	30742.61	2120.18	2471.02	11.97	47.68	10437.42	778.91	1185.40	6.97	85.34	637.76	1728.35
HE 280 AA	58.5	264	280	7.0	10.0	73.11	244	240	9889.38	749.20	815.81	11.63	18.21	3659.37	261.38	395.00	7.07	29.34	21.54	590.11
HE 280 A	73.9	270	280	8.0	13.0	92.35	244	240	13004.70	963.31	1054.97	11.87	21.11	4757.31	339.81	513.52	7.18	36.34	45.01	785.37
HE 280 B	101.2	280	280	10.5	18.0	126.45	244	240	18601.67	1328.69	1477.18	12.13	28.26	6587.96	470.57	712.34	7.22	48.84	117.02	1130.15
HE 280 C	144.2	295	284	14.5	25.5	180.25	244.0	240.0	28138.29	1907.68	2167.95	12.49	40.13	9741.40	686.01	1041.22	7.35	53.34	332.29	1767.67
HE 280 M	188.2	310	288	18.5	33.0	235.25	244	240	38878.74	2508.31	2908.38	12.86	52.60	13151.24	913.28	1389.49	7.48	86.84	721.48	2520.23

Other custom sizes are available upon request

* This dimension is related to the internal radius, achieved by the various producer. At Montanstahl beams are produced with radius of ≤2mm.

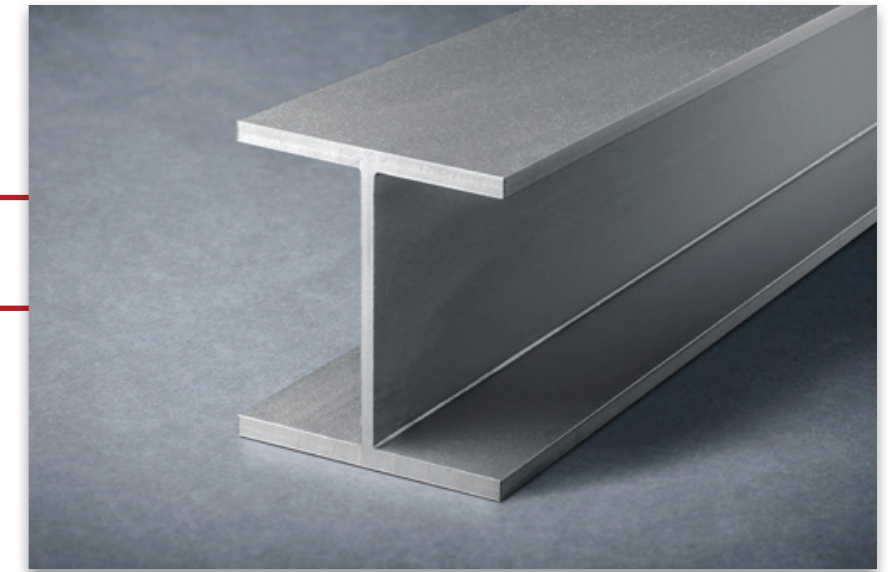
HE EUROPEAN WIDE FLANGE BEAMS



STAINLESS STEEL

Product Description

Dimensions: HE A, B, M in accordance with EN 10365
 Tolerances: EN 10034: 1993
 Grade according to EN 10088-3: 1D
 Surface condition: blasted and pickled

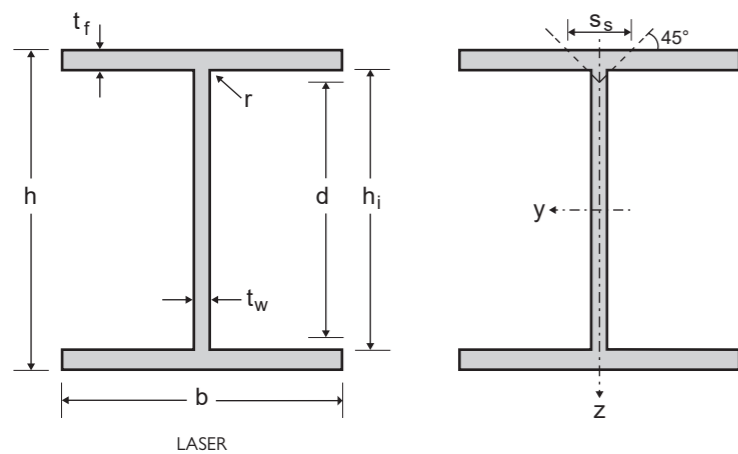


General properties							Structural properties														
Designation		Dimensions					Dimensions for detailing		Strong axis y-y					Weak axis z-z							
	G kg/m	h mm	b mm	t _w mm	t _f mm	A mm ² x10 ²	h _i mm	d*	I _y mm ⁴ x10 ⁴	W _{ely} mm ³ x10 ³	W _{ply} mm ³ x10 ³	i _y mm x10	A _{vz} mm ² x10 ²	I _z mm ⁴ x10 ⁴	W _{elz} mm ³ x10 ³	W _{plz} mm ³ x10 ³	i _z mm x10	S _s mm	I _t mm ⁴ x10 ⁴	I _w mm ⁶ x10 ⁹	
HE 300 AA	66.1	283	300	7.5	10.5	82.68	262	258	12831.05	906.79	987.53	12.46	20.89	4725.93	315.06	476.20	7.56	30.84	26.95	877.15	
HE 300 A	85	290	300	8.5	14.0	106.3	262	258	17290.45	1192.44	1305.52	12.75	24.05	6301.35	420.09	634.75	7.70	38.84	59.95	1199.77	
HE 300 B	114.3	300	300	11.0	19.0	142.85	262	258	24192.63	1612.84	1790.92	13.01	31.70	8552.92	570.19	862.95	7.74	51.34	147.14	1687.79	
HE 300 C	175.1	320	305	16.0	29.0	218.85	262.0	258.0	39977.97	2498.62	2848.92	13.52	47.75	13722.40	899.83	1365.66	7.92	60.34	519.62	2903.17	
HE 300 M	237.5	340	310	21.0	39.0	296.85	262	258	58227.97	3425.17	3999.92	14.01	64.80	19384.41	1250.61	1902.87	8.08	101.34	1263.06	4386.03	
HE 320 AA	70.7	301	300	8.0	11.0	88.35	279	275	15337.64	1019.11	1113.16	13.18	23.67	4951.20	330.08	499.48	7.49	32.34	31.53	1040.74	
HE 320 A	94.5	310	300	9.0	15.5	118.14	279	275	21818.87	1407.67	1545.04	13.59	27.16	6976.70	465.11	703.17	7.68	42.34	80.62	1512.36	
HE 320 B	124.1	320	300	11.5	20.5	155.12	279	275	29713.82	1857.11	2066.20	13.84	35.30	9228.55	615.24	931.75	7.71	54.84	183.85	2068.71	
HE 320 C	184.6	340	305	16.0	30.5	230.72	279.0	275.0	47600.99	2800.06	3190.97	14.36	50.77	14432.30	946.38	1436.52	7.91	63.34	598.44	3453.90	
HE 320 M	244.7	359	309	21.0	40.0	305.82	279	275	67025.12	3733.99	4351.98	14.80	68.62	19690.66	1274.48	1940.42	8.02	103.34	1353.67	5003.86	
HE 340 AA	75.4	320	300	8.5	11.5	94.28	297.0	293.0	18288.04	1143.00	1252.28	13.93	26.72	5176.53	345.10	522.88	7.41	33.84	36.69	1231.29	
HE 340 A	101.8	330	300	9.5	16.5	127.25	297.0	293.0	26428.86	1601.75	1761.83	14.41	30.48	7427.13	495.14	749.22	7.64	44.84	97.44	1824.36	
HE 340 B	131.7	340	300	12.0	21.5	164.67	297.0	293.0	35392.15	2081.89	2319.46	14.66	39.11	9679.29	645.29	978.21	7.67	57.34	212.62	2453.63	
HE 340 M	247.7	377	309	21.0	40.0	309.60	297.0	293.0	75107.43	3984.48	4628.93	15.58	72.40	19692.05	1274.57	1942.40	7.98	103.34	1359.22	5584.50	
HE 360 AA	80.3	339	300	9.0	12.0	100.38	315.0	311.0	21608.52	1274.84	1401.00	14.67	29.94	5401.92	360.13	546.40	7.34	35.34	42.46	1443.54	
HE 360 A	109.2	350	300	10.0	17.5	136.53	315	311	31660.94	1809.20	1994.23	15.23	33.98	7877.64	525.18	795.39	7.60	47.34	116.48	2176.58	
HE 360 B	139.5	360	300	12.5	22.5	174.41	315	311	41764.60	2320.26	2588.74	15.47	43.12	10130.14	675.34	1024.83	7.62	59.84	244.31	2883.25	
HE 360 M	250.1	395	308	21.0	40.0	312.58	315.0	311.0	83438.18	4224.72	4895.07	16.34	76.18	19503.09	1266.43	1932.05	7.90	103.34	1360.51	6137.02	
HE 400 AA	89.2	378	300	9.5	13.0	111.47	352.0	348.0	29453.23	1558.37	1718.37	16.25	35.23	5852.52	390.17	592.96	7.25	37.84	54.22	1948.42	
HE 400 A	122.2	390	300	11.0	19.0	152.75	352.0	348.0	43270.53	2219.00	2456.04	16.83	41.60	8553.92	570.26	865.67	7.48	51.34	151.13	2942.08	
HE 400 B	153.2	400	300	13.5	24.0	191.55	352.0	348.0	55881.66	2794.08	3125.98	17.08	51.75	10807.23	720.48	1096.06	7.51	63.84	300.23	3817.15	
HE 400 M	255.6	432	307	21.0	40.0	319.55	352.0	348.0	102320.23	4737.05	5464.86	17.89	83.95	19316.84	1258.43	1923.83	7.77	103.34	1367.67	7410.30	
HE 450 AA	96.7	425	300	10.0	13.5	120.83	398.0	394.0	39569.35	1862.09	2063.27	18.10	41.72	6078.33	405.22	617.47	7.09	39.34	62.75	2571.73	
HE 450 A	137.4	440	300	11.5	21.0	171.8	398	394	61403.35	2791.06	3095.79	18.91	49.06	9455.06	630.34	958.18	7.42	55.84	202.31	4147.63	

Other custom sizes are available upon request

* This dimension is related to the internal radius, achieved by the various producer. At Montanstahl beams are produced with radius of ≤2mm.

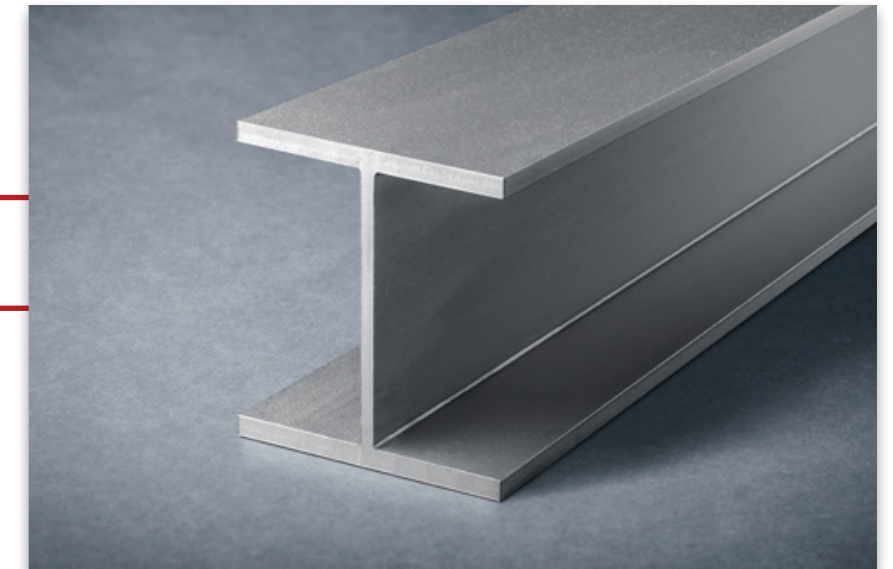
HE EUROPEAN WIDE FLANGE BEAMS



STAINLESS STEEL

Product Description

Dimensions: HE A, B, M in accordance with EN 10365
 Tolerances: EN 10034: 1993
 Grade according to EN 10088-3: 1D
 Surface condition: blasted and pickled

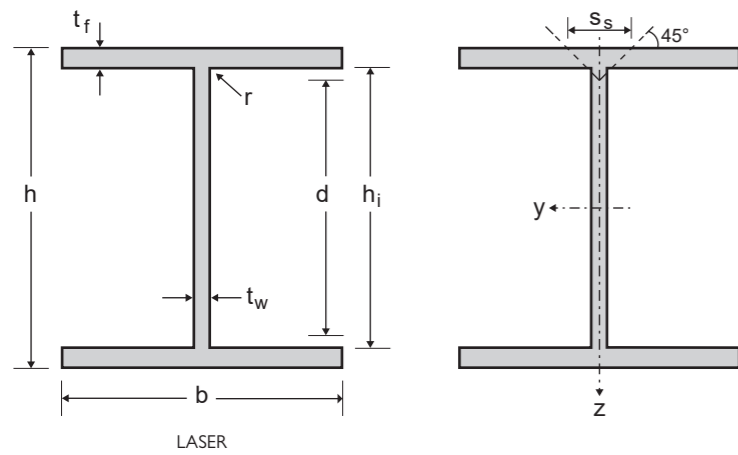


General properties							Structural properties													
Designation		Dimensions					Dimensions for detailing		Strong axis y-y					Weak axis z-z						
	G kg/m	h mm	b mm	t _w mm	t _f mm	A mm ² x10 ²	h _i mm	d* mm	I _y mm ⁴ x10 ⁴	W _{ely} mm ³ x10 ³	W _{ply} mm ³ x10 ³	i _y mm x10	A _{vz} mm ² x10 ²	I _z mm ⁴ x10 ⁴	W _{elz} mm ³ x10 ³	W _{plz} mm ³ x10 ³	i _z mm x10	S _s mm	I _t mm ⁴ x10 ⁴	I _w mm ⁶ x10 ⁹
HE 450 B	169.4	450	300	14.0	26.0	211.75	398	394	77569.28	3447.52	3862.30	19.14	60.43	11709.12	780.61	1189.53	7.44	68.34	379.89	5258.45
HE 450 M	263.4	478	307	21.0	40.0	329.21	398.0	394.0	129166.06	5404.44	6210.94	19.81	93.61	19320.39	1258.66	1928.90	7.66	103.34	1381.87	9251.50
HE 500 AA	104.5	472	300	10.5	14.0	130.65	444.0	440.0	51739.75	2192.36	2441.84	19.90	48.68	6304.29	420.29	642.26	6.95	40.84	72.36	3303.78
HE 500 A	153.1	490	300	12.0	23.0	191.31	444.0	440.0	84071.23	3431.48	3814.47	20.96	56.99	10356.41	690.43	1051.01	7.36	60.34	263.81	5643.05
HE 500 B	185.9	500	300	14.5	28.0	232.41	444.0	440.0	104272.24	4170.89	4680.18	21.18	69.59	12611.30	840.75	1283.36	7.37	72.84	472.29	7017.70
HE 500 M	270.5	524	306	21.0	40.0	338.07	444.0	440.0	159025.39	6069.67	6959.88	21.69	103.27	19136.05	1250.72	1921.71	7.52	103.34	1391.80	11186.75
HE 550 AA	117.3	522	300	11.5	15.0	146.61	492.0	488.0	69286.92	2654.67	2978.28	21.74	58.94	6756.25	450.42	691.29	6.79	43.84	92.96	4337.70
HE 550 A	164.4	540	300	12.5	24.0	205.53	492	488	108347.76	4012.88	4472.49	22.96	65.49	10808.02	720.53	1099.24	7.25	62.84	302.37	7188.91
HE 550 B	198.3	550	300	15.0	29.0	247.83	492	488	133106.42	4840.23	5441.28	23.17	79.34	13063.86	870.92	1332.70	7.26	75.34	529.36	8855.76
HE 550 M	278.5	572	306	21.0	40.0	348.15	492.0	488.0	194399.50	6797.19	7783.36	23.63	113.35	19139.76	1250.96	1927.00	7.41	103.34	1406.62	13515.63
HE 600 AA	126.3	571	300	12.0	15.5	157.83	540.0	536.0	87534.88	3066.02	3458.80	23.55	67.31	6982.79	465.52	716.96	6.65	45.34	106.20	5380.87
HE 600 A	176.2	590	300	13.0	25.0	220.23	540.0	536.0	136871.05	4639.70	5186.13	24.93	74.48	11259.90	750.66	1147.84	7.15	65.34	344.73	8978.20
HE 600 B	211.0	600	300	15.5	30.0	263.73	540.0	536.0	166704.05	5556.80	6260.88	25.14	89.58	13516.78	901.12	1382.46	7.16	77.84	591.14	10965.38
HE 600 M	285.9	620	305	21.0	40.0	357.43	540.0	536.0	233110.48	7519.69	8607.83	25.54	123.43	18956.80	1243.07	1920.07	7.28	103.34	1417.17	15907.59
HE 600 x 337	338.3	632	310	25.5	46.0	422.93	540.0	536.0	278830.30	8823.74	10216.24	25.68	151.30	22914.44	1478.35	2298.13	7.36	94.34	2228.45	19607.71
HE 600 x 399	401.8	648	315	30.0	54.0	502.23	540.0	536.0	340304.65	10503.23	12291.87	26.03	180.39	28251.87	1793.77	2800.63	7.50	110.34	3635.59	24813.45
HE 650 AA	135.6	620	300	12.5	16.0	169.53	588.0	584.0	108782.73	3509.12	3980.66	25.33	76.17	7209.59	480.64	742.99	6.52	46.84	120.94	6566.69
HE 650 A	188.3	640	300	13.5	26.0	235.41	588.0	584.0	170016.88	5313.03	5957.09	26.87	83.96	11712.07	780.80	1196.82	7.05	67.84	391.09	11027.13
HE 650 B	224.1	650	300	16.0	31.0	280.11	588.0	584.0	205454.74	6321.68	7140.68	27.08	100.31	13970.09	931.34	1432.66	7.06	80.34	657.86	13362.74
HE 650 M	294.0	668	305	21.0	40.0	367.51	588.0	584.0	276506.22	8278.63	9477.76	27.43	133.51	18960.50	1243.31	1925.36	7.18	103.34	1431.99	18649.52
HE 650 x 343	347.4	680	309	25.5	46.0	434.25	588.0	584.0	329401.71	9688.29	11216.80	27.54	163.54	22700.76	1469.30	2291.70	7.23	94.34	2248.49	22730.06
HE 650 x 407	412.4	696	314	30.0	54.0	515.55	588.0	584.0	401110.66	11526.17	13479.84	27.89	194.79	27995.61	1783.16	2794.45	7.37	110.34	3668.29	28710.55
HE 700 AA	147.8	670	300	13.0	17.0	184.71	636.0	632.0	136663.26	4079.50	4646.00	27.20	85.60	7661.66	510.78	791.89	6.44	49.34	145.51	8155.07
HE 700 A	203.4	690	300	14.5	27.0	254.25	636.0	632.0	209244.00	6065.04	6837.69	28.69	97.25	12166.18	811.08	1248.46	6.92	70.84	448.81	13351.91

Other custom sizes are available upon request

* This dimension is related to the internal radius, achieved by the various producer. At Montanstahl beams are produced with radius of ≤2mm.

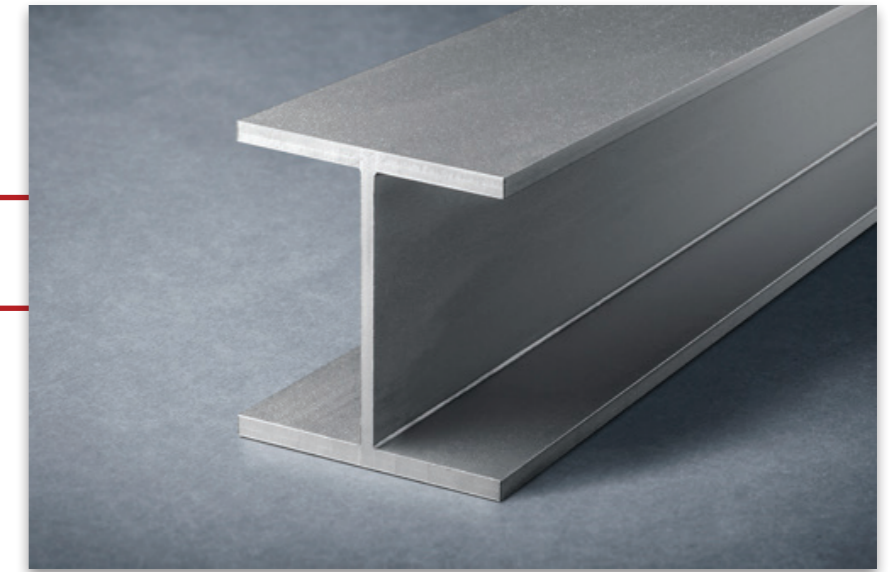
HE EUROPEAN WIDE FLANGE BEAMS



STAINLESS STEEL

Product Description

Dimensions: HE A, B, M in accordance with EN 10365
 Tolerances: EN 10034: 1993
 Grade according to EN 10088-3: 1D
 Surface condition: blasted and pickled



General properties							Structural properties													
Designation		Dimensions					Dimensions for detailing		Strong axis y-y					Weak axis z-z						
	G kg/m	h mm	b mm	t _w mm	t _f mm	A mm ² x10 ²	h _i mm	d* mm	I _y mm ⁴ x10 ⁴	W _{ely} mm ³ x10 ³	W _{ply} mm ³ x10 ³	i _y mm x10	A _{vz} mm ² x10 ²	I _z mm ⁴ x10 ⁴	W _{elz} mm ³ x10 ³	W _{plz} mm ³ x10 ³	i _z mm x10	S _s mm	I _t mm ⁴ x10 ⁴	I _w mm ⁶ x10 ⁹
HE 700 B	240.1	700	300	17.0	32.0	300.15	636.0	632.0	250831.07	7166.60	8133.00	28.91	114.87	14426.07	961.74	1485.98	6.93	83.34	739.76	16064.06
HE 700 M	301.4	716	304	21.0	40.0	376.79	636.0	632.0	323220.70	9028.51	10344.85	29.29	143.59	18778.77	1235.45	1918.48	7.06	103.34	1442.54	21397.49
HE 700 x 352	353.9	728	308	25.0	46.0	442.39	636.0	632.0	383623.85	10539.12	12191.77	29.45	172.37	22483.42	1459.96	2281.29	7.13	94.34	2244.96	26047.59
HE 700 x 418	420.6	744	313	29.5	54.0	525.69	636.0	632.0	466451.12	12539.01	14646.63	29.79	205.74	27734.01	1772.14	2783.58	7.26	110.34	3667.59	32848.36
HE 800 AA	168.6	770	300	14.0	18.0	210.79	734.0	730.0	198896.85	5166.15	5947.70	30.72	106.03	8116.80	541.12	845.99	6.21	52.34	184.73	11451.46
HE 800 A	222.5	790	300	15.0	28.0	278.13	734.0	730.0	293457.24	7429.30	8422.39	32.48	115.45	12620.67	841.38	1301.31	6.74	73.34	510.51	18290.29
HE 800 B	261.2	800	300	17.5	33.0	326.48	734.0	730.0	349098.22	8727.46	9951.62	32.70	135.58	14882.81	992.19	1541.23	6.75	85.84	827.34	21840.23
HE 800 M	317.3	814	303	21.0	40.0	396.57	734.0	730.0	432612.60	10629.30	12210.61	33.03	164.17	18602.11	1227.86	1917.14	6.85	103.34	1468.53	27775.29
HE 800 x 373	373.5	826	308	25.0	46.0	466.89	734.0	730.0	513921.13	12443.61	14419.52	33.18	196.87	22496.18	1460.79	2296.60	6.94	94.34	2296.00	34071.24
HE 800 x 444	446.6	842	313	30.0	54.0	558.27	734.0	730.0	624489.07	14833.47	17360.70	33.45	238.59	27763.10	1774.00	2810.37	7.05	110.34	3789.20	42841.83
HE 900 AA	195.6	870	300	15.0	20.0	244.53	830.0	826.0	288322.38	6628.10	7684.80	34.34	128.33	9023.37	601.56	946.71	6.07	57.34	254.07	16256.25
HE 900 A	250.3	890	300	16.0	30.0	312.83	830.0	826.0	409252.28	9196.68	10497.02	36.17	138.83	13528.36	901.89	1403.15	6.58	78.34	638.35	24961.50
HE 900 B	290.9	900	300	18.5	35.0	363.58	830.0	826.0	481242.00	10694.27	12270.09	36.38	161.46	15793.83	1052.92	1646.05	6.59	90.84	1003.74	29461.36
HE 900 M	332.7	910	302	21.0	40.0	415.93	830.0	826.0	557611.47	12255.20	14127.75	36.61	184.33	18426.50	1220.30	1915.63	6.66	103.34	1493.89	34746.26
HE 900 x 391	392.0	922	307	25.0	46.0	489.97	830.0	826.0	661523.53	14349.75	16677.92	36.74	220.87	22291.20	1452.20	2297.46	6.74	94.34	2339.52	42556.89
HE 900 x 466	468.8	938	312	30.0	54.0	585.99	830.0	826.0	802123.11	17102.84	20061.81	37.00	267.39	27521.03	1764.17	2815.09	6.85	110.34	3865.10	53401.18
HE 1000 AA	219.6	970	300	16.0	21.0	274.51	928.0	924.0	390366.57	8048.80	9425.03	37.71	152.71	9481.70	632.11	1004.42	5.88	60.34	312.95	21276.70
HE 1000 x 249	247.3	980	300	16.5	26.0	309.15	928.0	924.0	464993.98	9489.67	10995.18	38.78	158.48	11734.77	782.32	1233.19	6.16	54.34	485.96	26620.89
HE 1000 A	271.3	990	300	16.5	31.0	339.15	928.0	924.0	537761.48	10863.87	12472.68	39.82	159.51	13984.77	932.32	1458.19	6.42	80.84	717.54	32073.87
HE 1000 B	313.9	1000	300	19.0	36.0	392.35	928.0	924.0	628663.54	12573.27	14503.42	40.03	184.63	16253.08	1083.54	1703.79	6.44	93.34	1112.68	37636.49
HE 1000 M	349.2	1008	302	21.0	40.0	436.51	928.0	924.0	706214.69	14012.20	16216.25	40.22	204.91	18434.06	1220.80	1926.43	6.50	103.34	1524.15	43015.04
HE 1000 x 393	394.0	1016	303	24.4	43.9	492.55	928.2	924.2	791596.80	15582.61	18187.66	40.09	238.98	20466.02	1350.89	2153.40	6.45	90.14	2091.54	48084.27
HE 1000 x 415	416.8	1020	304	26.0	46.0	520.99	928.0	924.0	837036.61	16412.48	19219.70	40.08	255.11	21675.07	1425.99	2282.45	6.45	94.34	2438.11	51084.04
HE 1000 x 438	438.9	1026	305	26.9	49.0	548.57	928.0	924.0	893092.86	17409.22	20394.32	40.35	264.81	23321.57	1529.28	2447.04	6.52	100.34	2886.33	55293.42
HE 1000 x 494	497.1	1036	309	31.0	54.0	621.43	928.0	924.0	1011874.75	19534.26	23061.42	40.35	306.61	26783.74	1733.58	2800.99	6.57	110.34	4019.01	64014.88
HE 1000 x 584	588.8	1056	314	36.0	64.0	736.03	928.0	924.0	1229986.80	23295.20	27687.48	40.88	359.71	33384.01	2126.37	3455.81	6.73	130.34	6623.55	81242.08

Other custom sizes are available upon request

* This dimension is related to the internal radius, achieved by the various producer. At Montanstahl beams are produced with radius of ≤2mm.