

Profiles for ore extraction



Tailored beam

custom drawings. The majority has to be made of stainless steel 316Ti, while one section is of mild steel S355.

The supply length is of standard 6m lengths that are cut to measure on site in Indonesia.

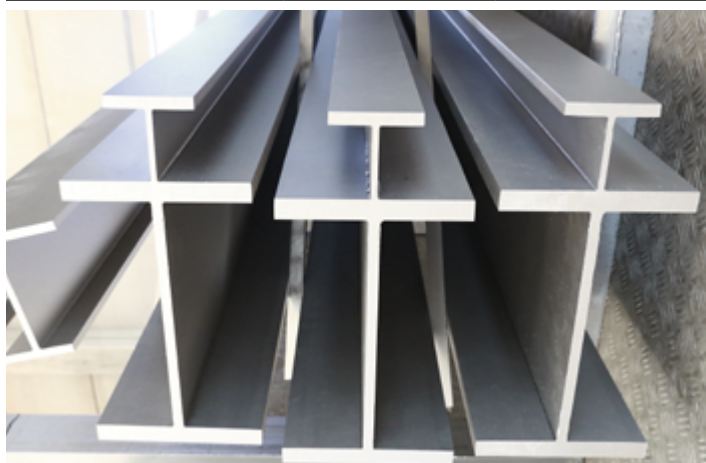
The sections are:

316Ti

H-100x55x6x12/6	70 bars	5000 Kg
WB300	15 bars	8300 Kg
IPE160 special	6 bars	1000 Kg
WB150	3 bars	600 Kg
WB150A	1 bar	160 Kg

S355J2

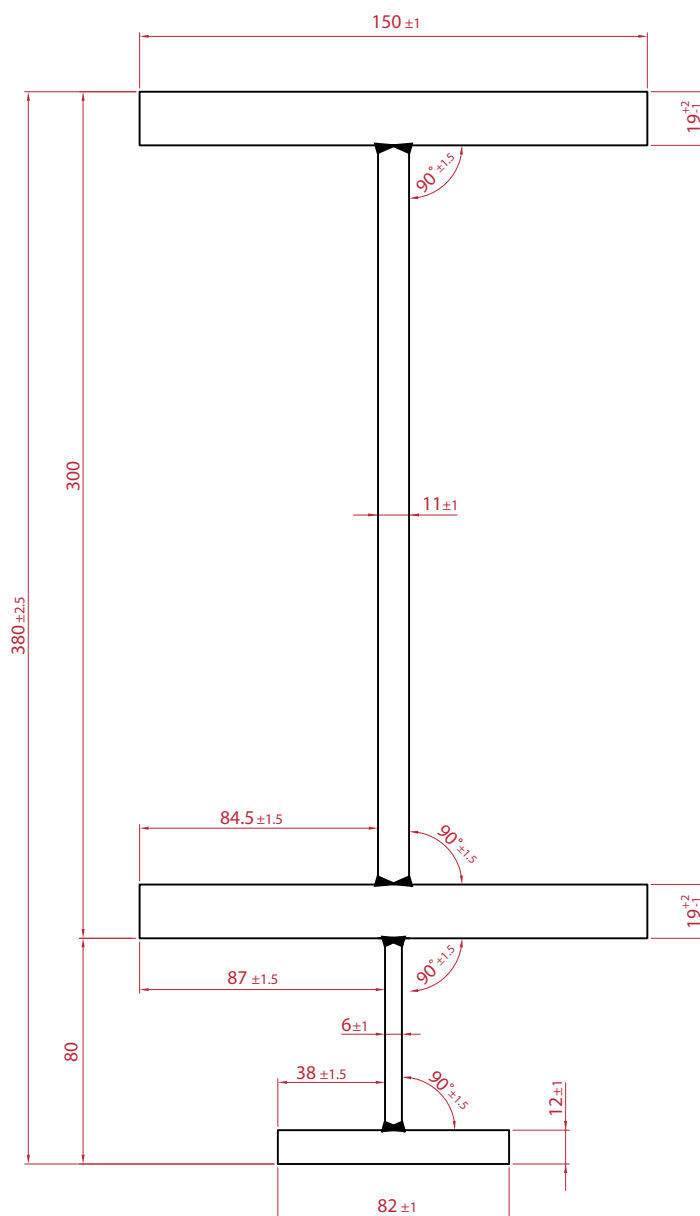
H-100x55x6x6/12	60 bars	4250 Kg
-----------------	---------	---------



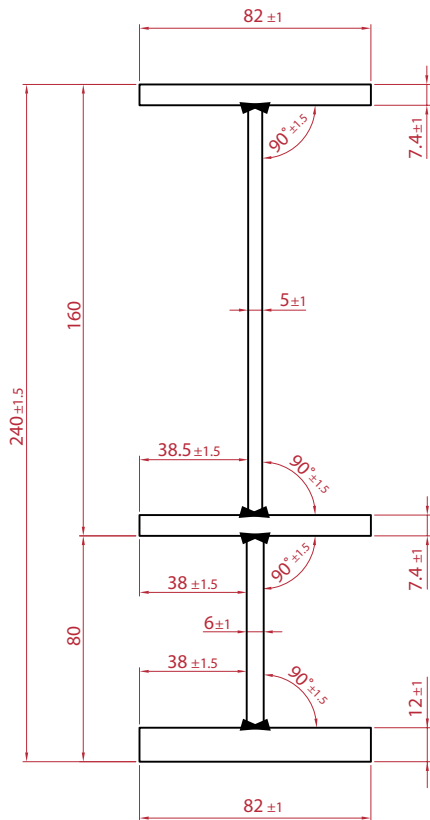
Profile:	<i>Sp. tailored beams & sections</i>
Material grade:	<i>316Ti & S355J2</i>
Execution:	<i>Laser fused</i>
Industry served:	<i>Mining & Quarrying</i>
Destination:	<i>Indonesia</i>

One of the world leading companies active in the mining and quarrying industry requires several special tailored sections both in stainless steel and in carbon steel for their operations in Indonesia.

The requested profiles are special sections made upon



Profiles for ore extraction



The special sections are installed as technological component and as support of the roof of the smelting furnace.

This is an important part of the ore quarrying process.

All material is laser welded according to the American Standard ASTM A1069, whereas all welding procedures and qualifications are according to the European Norms.



The section's tolerances have been determined in the mutual agreements with the customer's engineering department and Montanstahl's production department.

The result are several high end structural sections manufactured according to the customer's specific requirements.

