

HEB - European wide flange beams

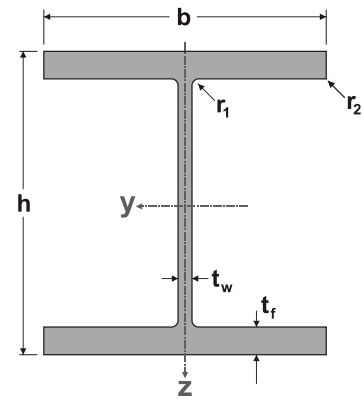
In accordance with DIN 1025, tolerances according to EN 10034, grade according to EN 10088-3: 1D

HEB - Poutrelles européens à larges ailes

Conformes à DIN 1025, tolérances selon EN 10034, nuance selon EN 10088-3: 1D

HEB - Europäische Breitflanschträger

Gemäß DIN 1025, Toleranzen nach EN 10034, Güte nach EN 10088-3: 1D



Désignation Designation Bezeichnung	Dimensions Abmessungen						Poid Weight Gewicht
	h mm	b mm	t _w mm	t _f mm	r ₁ mm	r ₂ mm	G kg/m

HEB 100*	100	100	6.0	10.0	2.0	1.0	20.4
HEB 120*	120	120	6.5	11.0	2.0	1.0	26.7
HEB 140*	140	140	7.0	12.0	2.0	1.0	33.7
HEB 160*	160	160	8.0	13.0	2.0	1.0	42.6
HEB 180*	180	180	8.5	14.0	2.0	1.0	51.2
HEB 200*	200	200	9.0	15.0	2.0	1.0	61.3
HEB 220*	220	220	9.5	16.0	2.0	1.0	71.5
HEB 240*	240	240	10.0	17.0	2.0	1.0	83.2
HEB 260*	260	260	10.0	17.5	2.0	1.0	93.0
HEB 280*	280	280	10.5	18.0	2.0	1.0	103.0
HEB 300*	300	300	11.0	19.0	2.0	1.0	117.0
HEB 320*	320	300	11.5	20.5	2.0	1.0	127.0
HEB 340*	340	300	12.0	21.5	2.0	1.0	134.0
HEB 360*	360	300	12.5	22.5	2.0	1.0	142.0
HEB 400*	400	300	13.5	24.0	2.0	1.0	155.0
HEB 450*	450	300	14.0	26.0	2.0	1.0	171.0
HEB 500*	500	300	14.5	28.0	2.0	1.0	187.0
HEB 550*	500	300	15.0	29.0	2.0	1.0	199.0
HEB 600*	600	300	15.5	30.0	2.0	1.0	212.0
HEB 650*	600	300	16.0	31.0	2.0	1.0	225.0
HEB 700*	700	300	17.0	32.0	2.0	1.0	241.0
HEB 800*	800	300	17.5	33.0	2.0	1.0	262.0
HEB 900*	900	300	18.5	35.0	2.0	1.0	291.0
HEB 1000*	1000	300	19.0	36.0	2.0	1.0	314.0

* Profiles are laser fused.
Full penetration, equivalent to hot rolled . r₁ = laser welded seam, r₂ = sharp corner.

* Profils sont soudé a laser.
Pénétration complet, équivalent a laminé à chaud.
r₁ = cordon laser, r₂ = angle vif.

* Profile werden Laser geschweisst.
Mit voller Durchschweissung, gleichwertig zu warm gewalzt.
r₁ = Laser Schweissnaht, r₂ = scharfk.